

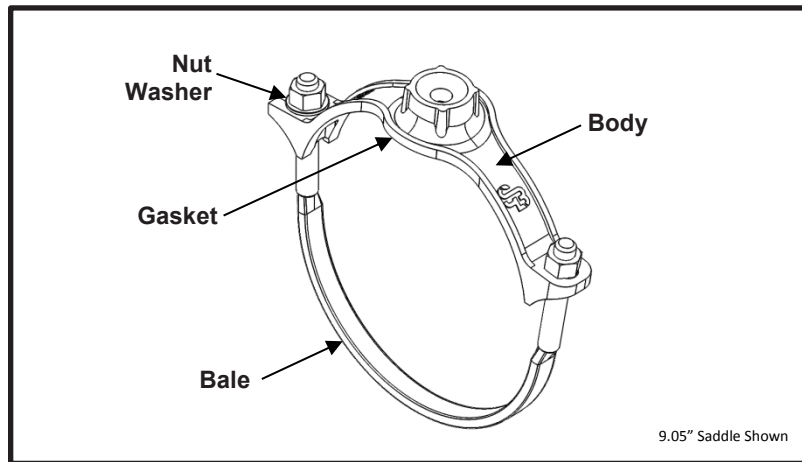


Smith-Blair  
a xylem brand

# SPECIFICATION

## SERVICE SADDLE SINGLE BALE

### MODEL 312



#### APPLICATIONS

- **Typical Uses**
  - Tapping branch connections on new or existing pipe
  - Installing vacuum valves, pitot tubes, relief valves, or other miscellaneous service equipment
  - Installing pipe supports, hangers, or sign mounting brackets
- **Standard Pipe Sizes**
  - 1" to 14" nominal
- **Standard Taps**
  - NPT: 3/4", 1", 1-1/4", 1-1/2" and 2"

*See Smith-Blair catalog for available pipe diameter and tap size combinations as some combinations are not available*
- **Type of Pipe**
  - Carbon Steel, Stainless Steel, Cast Iron
- **Working Pressure / Test Pressure**
  - 150 PSI / 300 PSI

#### MATERIALS

- **Body**
  - Cast using Ductile Iron 65-45-12 per ASTM A536
  - Flexi-Coat® fusion bonded epoxy finish
- **Bale**
  - High Strength Low Allow (HSLA) Steel
  - Fe/Zn coated per ASTM F1941-10
  - Size: 1" – 3" nominal pipe size(s) = 1/2"-13UNC  
4" – 14" nominal pipe size(s) = 5/8"-11UNC
- **Gasket**
  - Nitrile (Buna-N) per ASTM D2000
  - Compounded to resist oil, natural gas, acids, alkalis, most (aliphatic) hydrocarbon fluids, and many other chemicals
  - Temperature range: -20°F to +180°F



Smith-Blair  
a xylem brand

# SPECIFICATION

## SERVICE SADDLE SINGLE BALE

### MODEL 312

---

- **Nuts**
  - Carbon Steel per ASTM A307
  - Fe/Zn coated per ASTM F1941-10
  - Size:           1" – 3" nominal pipe size(s) = 1/2"-13UNC Heavy Hex Semi-Finished  
                  4" – 14" nominal pipe size(s) = 5/8"-11UNC Heavy Hex Semi-Finished
- **Washer**
  - Carbon Steel per ASTM F844
  - Fe/Zn coated per ASTM F1941-10
  - Size:           1" – 3" nominal pipe size(s) = 1/2" Type A Plain  
                  4" – 14" nominal pipe size(s) = 5/8" Type A Plain

#### LISTINGS/STANDARDS

- Marked in accordance with DOT CFR 49-192.63(a)(2)

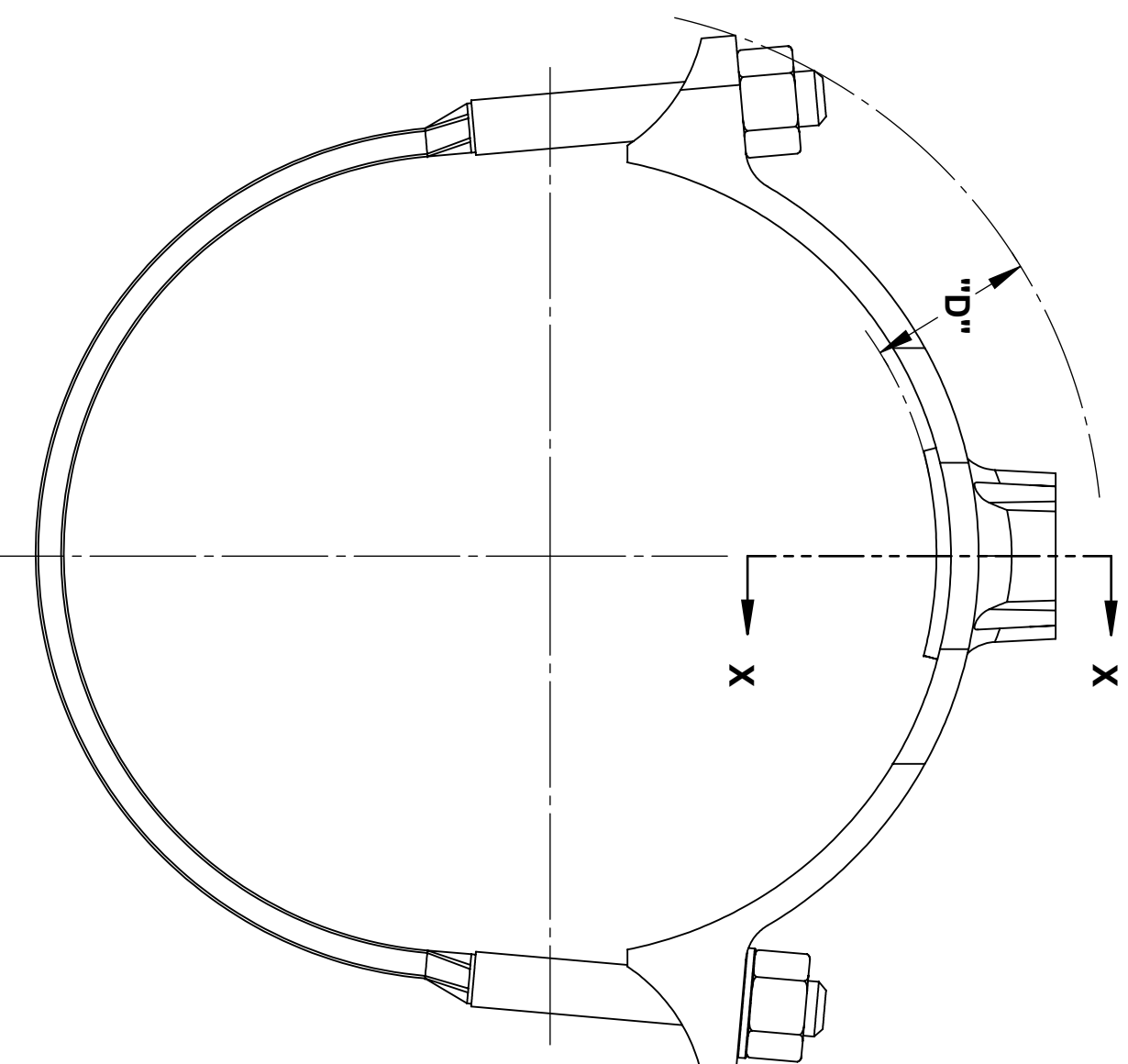
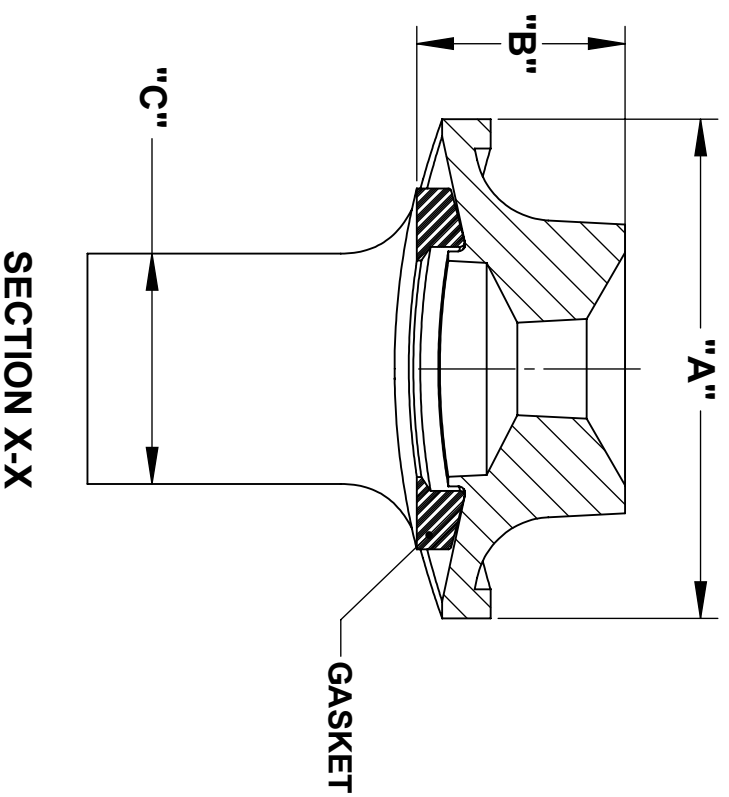
#### OPTIONS

- Type 304 Stainless Steel bale with fluoropolymer coated Type 304 Stainless Steel nuts
- Alternative gasket material (e.g. Viton, EPDM, etc.)
- Anode connector

#### NOTES

- These product specifications were correct at the time of publication and are subject to change without notice
- Xylem, Smith-Blair, SB stylized, and Flexi-Coat are registered trademarks of Xylem, Inc., or one of its subsidiaries
- See the Smith-Blair website for part numbers and ordering information
- See the Smith-Blair website for warranty information
- See the Smith-Blair website for corrosion notice
- The working pressure of a Saddle decreases as pipe diameter increases (regardless of manufacturer). For a particular installation, the allowable working pressure will be determined by the **pipe size**, type of pipe, type of saddle, type and extent of damage, service conditions, environmental conditions, and installation workmanship

30 Globe Ave, Texarkana, AR 71854  
Ph: 870-773-5127 • Fax: 870-773-5212  
Toll-Free Numbers: Ph: 800-643-9705 • Fax: 800-648-6792



NOMINAL SIZE	APPROX. WT. (LB)	TAP CODE	A	B	C	D	SOCKET SIZE
1.25 - 1.50	1	ST	3.35	1.40	1.25	1.55	1-1/16"
	-	LT	-	-	-	-	
2	2	ST	3.65	1.66	2.70	1.75	
	2	LT	3.95	1.40	1.25	1.65	
	2	ST	3.40	1.45	1.30	1.50	
	3	LT	3.90				
3	3	ST	3.40	1.45	1.30	1.50	
	3	LT	3.85				
	3	ST	3.45				
	4	LT	4.85				
5	3	ST	3.45	1.50	1.70	1.80	
	5	LT	4.45				
	5	ST	3.40				
	6	LT	4.40				
8	5	ST	3.40	1.40	1.70	1.90	
	6	LT	4.40				
	5	ST	3.40				
	6	LT	4.40				
10	5	ST	3.40	1.40	1.70	1.90	
	6	LT	4.40				
	5	ST	3.40				
	6	LT	4.40				
12	6	LT	4.40	1.40	1.70	1.90	
	7	ST	3.40				
14	7	ST	3.40	1.40	1.70	1.90	
	7	LT	4.40				

- NOTES:**
- SEE SMITH-BLAIR CATALOG FOR AVAILABLE PIPE DIAMETER AND TAP SIZE COMBINATIONS AS SOME COMBINATIONS ARE NOT AVAILABLE
  - 9.05" SADDLE SHOWN OTHER SIZES SIMILAR
  - ABBREVIATIONS:  
ST = SMALL TAP SIZES 5/8" THRU 1"  
LT = LARGE TAP SIZES 1-1/4" THRU 2"

TOLERANCES U.N.O.		NOTES: REMOVE BURRS AND SHARP EDGES DO NOT SCALE DWG.		APP'D	DATE
XX = ±.03	XXX = ±.015	SCALE: N/A	SCALE: N/A	CK'D	DATE
FRACTIONS = MACH. FIN = ALL DIMENSIONS ARE IN INCHES.		DRN	CHD	DATE	7/1/15
<b>TITLE</b> <b>SPECIFICATION</b> <b>SERVICE SADDLE SINGLE BALE</b> <b>MODEL 312</b>					
<b>SMITH-BLAIR</b> TEXARKANA, ARKANSAS		P/N N/A		DATE 7/19/18	
DWG. NO. <b>SPEC_312.DRW</b>		3 OF 3 SHEET		REV.	