



SmartPoint GM Transceiver

For Industrial Gas Meter Applications

The FlexNet® SmartPoint® GM transceiver for industrial applications harnesses the power of two-way communications, connecting gas utilities with their customers, for exceptional business-to-business service.

More impact on revenue, less impact on your customers

Collecting detailed usage data once required physical access to restricted, remote or busy industrial locations, but not anymore. With FlexNet SmartPoint transceivers, you uncover revenue generating opportunities while limiting employee exposure to hazardous conditions.

Walk-by - Drive-by - Fixed Base

FlexNet SmartPoint transceivers are designed to meet the specific metrology needs of commercial gas service. Our high-power three port SmartPoint fits Form A pulse output devices to report corrected and uncorrected readings and alarm conditions. What's more, FlexNet SmartPoint transceivers can be installed as walk-by, drive-by or fixed base communication endpoints, then have their broadcast platform reconfigured easily, for true operational efficiency. So they work with you to resolve the challenges of today...and the opportunities of tomorrow.

FEATURES

- Three operational modes: walk-by, drive-by, fixed-base
- Two watts broadcast power
- Secure, encrypted data
- Over-the-air firmware download
- 20-year battery warranty

BENEFITS

- Flexible operation
- Less infrastructure
- Operational savings
- Hourly reading data

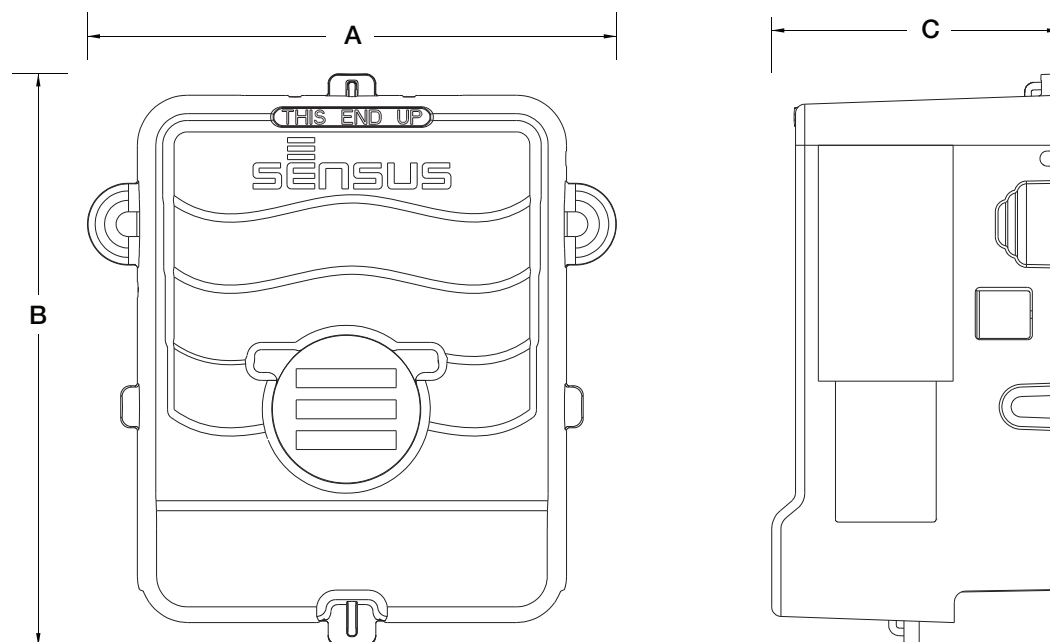
SPECIFICATIONS

The SmartPoint GM industrial transceiver is designed for remote interface to the meter via direct wiring to the Form A pulse output.

Broadcast Power	2 watts	
Frequency Range	896-960MHz	
Channels	8000 x 6.25kHz steps	
Modulation	Proprietary narrow band	
Memory	Non-volatile	
Alarms	Low Battery, Cut Wire, Corrector, Tilt	
Corrector Compatibility	Dresser, Eagle, Elster, Mercury, Reynolds	
Operating Environment	Class I/Div. 1	
Operating Temperature	-30° F to +150° F	
Power	Lithium thionyl chloride (LiSOCl ₂) batteries in conjunction with a hybrid layer capacitor (HLC)	
Approvals	United States FCC CFR 47: Part 24D, Part 101C, Part 15 licensed operation	Canada Industry Canada (IC) RSS-GEN RSS-119, RSS-210
Warranty	20 years	

SmartPoint GM Transceiver

For Industrial Gas Meter Applications



COMPATIBILITY

	SmartPoint Model	Width (A)	Height (B)	Depth (C)	Weight
Three Port Remote (Two Form A inputs plus dedicated alarm - provides corrected read, uncorrected read, alarm from corrector)	900GM	5.56"	5.50"	3.00"	1.3 lbs.
Two Port Remote (Two Form A inputs - provides either corrected or uncorrected read for up to two meters)	700GM				



SENSUS | 637 Davis Drive | Morrisville, NC 27560 | 800.638.3748

©2020 Sensus. All products purchased and services performed are subject to Sensus' terms of sale, available at either sensus.com/TC or 1-800-638-3748. Sensus reserves the right to modify these terms and conditions in its own discretion without notice to the customer. The Sensus logo is a registered trademark of Sensus.

This document is for informational purposes only, and SENSUS MAKES NO EXPRESS WARRANTIES IN THIS DOCUMENT. FURTHERMORE, THERE ARE NO IMPLIED WARRANTIES, INCLUDING WITHOUT LIMITATION, WARRANTIES AS TO FITNESS FOR A PARTICULAR PURPOSE AND MERCHANTABILITY. ANY USE OF THE PRODUCTS THAT IS NOT SPECIFICALLY PERMITTED HEREIN IS PROHIBITED.