

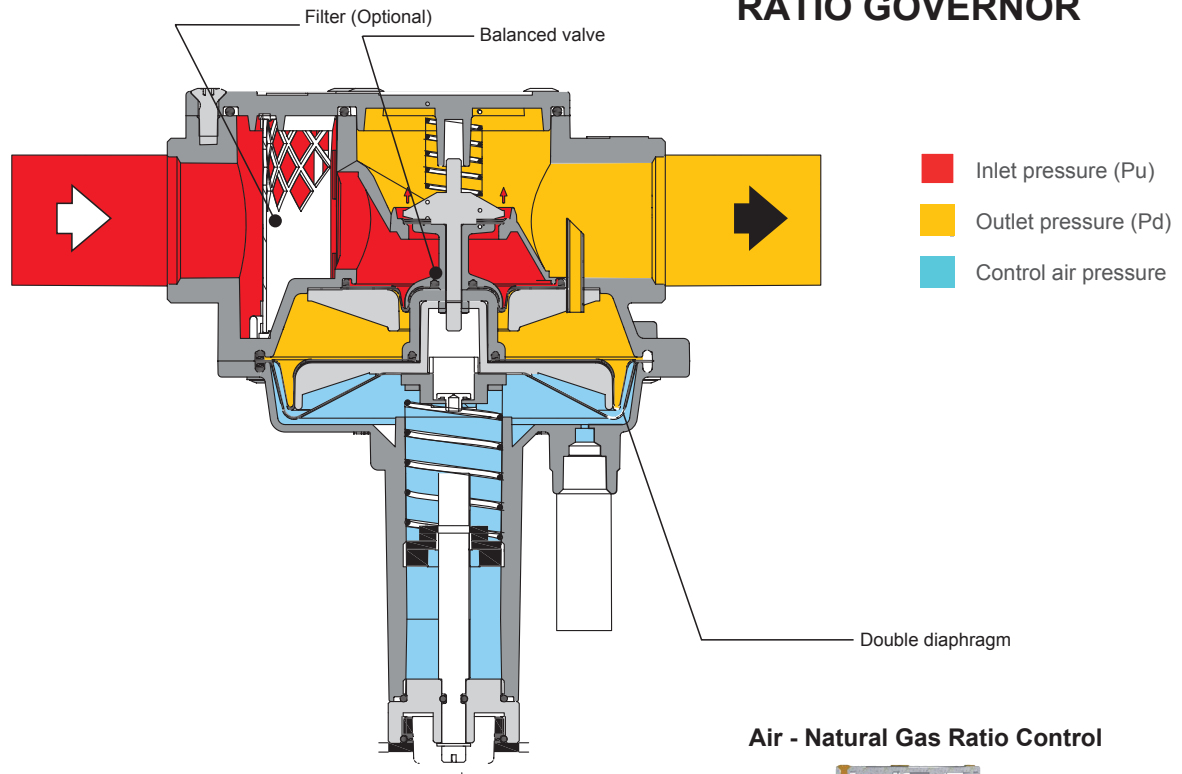


# RATIO GOVERNOR

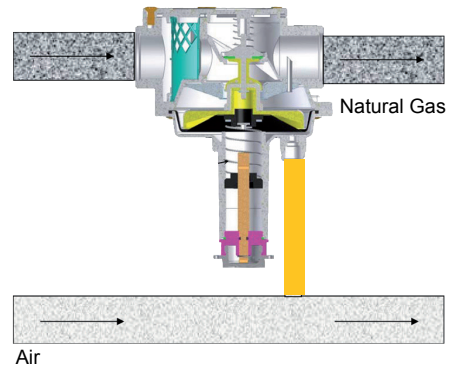
Air/Gas Ratio Pressure Regulators

# AIR/GAS RATIO PRESSURE REGULATORS

## RATIO GOVERNOR



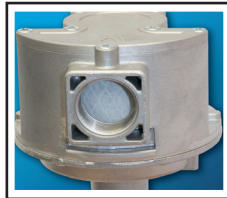
### Air - Natural Gas Ratio Control



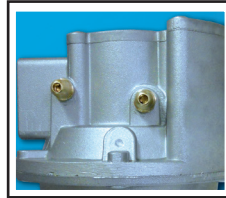
### MAIN FEATURES

- **Air/Gas Ratio Design:** 1:1
- **Max Inlet Pressure:** 14.5 PSIG
- **Outlet Pressure:** 7.25 PSIG
- **Air Pressure:** 0.2 - 60.2" W.C.
- **Pressure Control:** 0.2 - 60.2" W.C.
- **Minimum  $\Delta P$  between Pu and Pd:** 8" WC
- **Ambient Temperature Range:** 14°F - 140°F
- **Filter:** Yes (optional)
- **Air Connection:** 1/4" NPT: 1/2" - 1" and 1/2" NPT: 1 1/4" - 4"
- **Nominal Sizes Connections:** NPT: 1/2", 3/4", 1", 1 1/4"
- **Threaded:** 1 1/2" - 2"

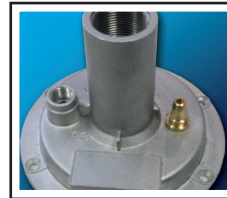
## OPTIONS



Inlet filter

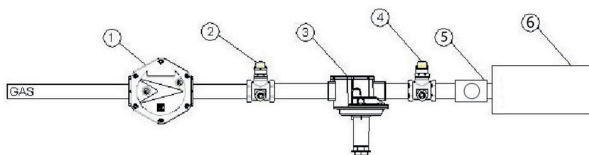


Gas inlet and outlet test point

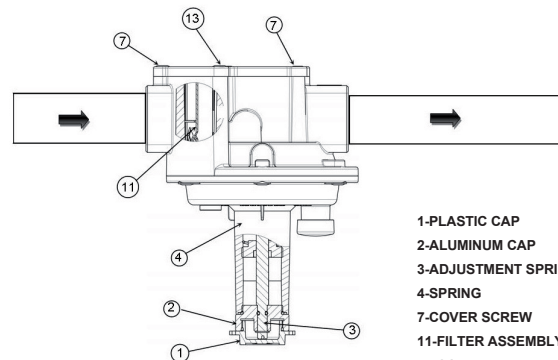


Air test point

## INSTALLATION DIAGRAM



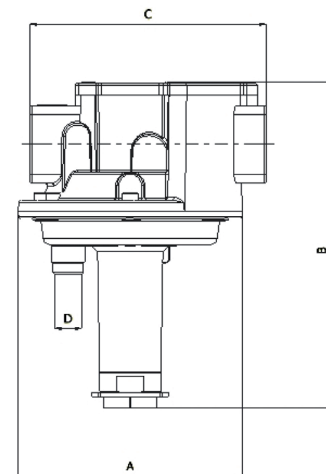
- 1-FILTER
- 2-SOLENOID VALVE
- 3-ZERO GOVERNORS
- 4-LIMITING VALVE GAS
- 5-SOLENOID EXHASUT VALVE
- 6-ENGINE



- 1-PLASTIC CAP
- 2-ALUMINUM CAP
- 3-ADJUSTMENT SPRING
- 4-SPRING
- 7-COVER SCREW
- 11-FILTER ASSEMBLY (OPTIONAL)
- 13-COVER PLATE

## WEIGHT AND DIMENSIONS IN INCHES

Model	Pipe Size	A	B	C	D	LBS
F3Z150	1/2"	4.9	7.3	5.4	1/4"	2.75
F3Z151	3/4"	4.9	7.3	5.27	1/4"	2.75
F3Z152	1"	4.9	7.3	5.27	1/4"	2.75
F3Z153	1 1/4"	7.55	10.39	7.63	1/2"	7.5
F3Z154	1 1/2"	7.55	10.39	7.63	1/2"	7.5
F3Z155	2"	7.55	12.8	9.3	1/2"	12.32
F3Z156	DN 2 1/2"	12.6	17.32	16.92	1/2"	27.55
F3Z157	DN 3"	12.6	17.32	16.92	1/2"	27.55
F3Z158	DN 4"	12.6	17.32	16.92	1/2"	27.55





**EQUIPMENT CONTROLS COMPANY**

Ph: 800.554.1036

[www.equipmentcontrols.com](http://www.equipmentcontrols.com)

