

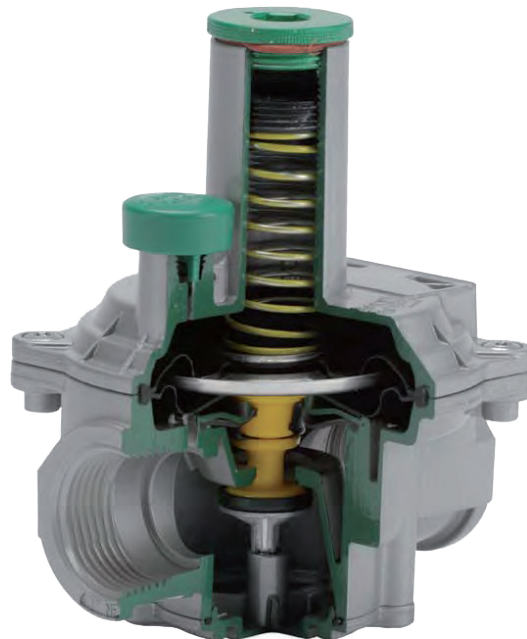


# **GOVERNOR & PF400**

Line Pressure Regulators

## \*\*\* WARRANTY POLICY \*\*\*

1. The Seller undertakes to remedy any defects, lack of quality or non-conformity of the goods contract for which he is responsible, provided such defects have been notified in accordance within 10 (ten) days from the occurrence. The Seller may either repair or replace the goods which have shown to be defective. In case of repair, request to return product(s) for repair must be pre-approved in writing by our Sales Department. The product(s) shall be returned pre-paid to Pietro Fiorentini USA.
2. Seller is not responsible for defects due to: natural wearing, buyer's inexperience, negligence, tampering or wrong assemblage, overcome of limits conditions, non-authorized intervention, force majeure or fault of the Buyer.
3. The duration of the guarantee is 24 (twenty-four) months from delivery of goods. The present warranty is not enforceable in case of lack of payment in the agreed terms. It is agreed that the obligation to repair or replace the defective goods is in lieu of any other legal guarantee or liability of the seller, whether contractual or non-contractual, which may arise out of or in relation with the goods supplied (e.g. compensation of damages, loss of profit, recall campaigns, etc.). For goods that have been purchased from sub-suppliers, the warranty guarantee granted by them is herewith extended to the Buyer.



\*Spring is CSA outlet pressure certified \*\*As approved by local codes and standards \*\*\*Brass vent limiter must be removed for outdoor installation

## PF400 LINE PRESSURE REGULATORS

Pietro Fiorentini's **PF400** line of gas regulators are designed to comply with the latest **CSA** and international standards for regulators suitable for indoor and outdoor installations with no modifications.

The **PF400** family of regulators are ideal for a wide range of applications. The materials and soft parts used in the construction of the **PF400** regulators make them suitable for use with **natural gas, LPG, Propane air and other non-corrosive** gases.

All **PF400** regulators can achieve high outlet pressure accuracy regardless of inlet pressure variation. The external vent limiter reduces piping costs and the need for costly vent piping for indoor installations and complies with **CSA** guidelines.\*\*

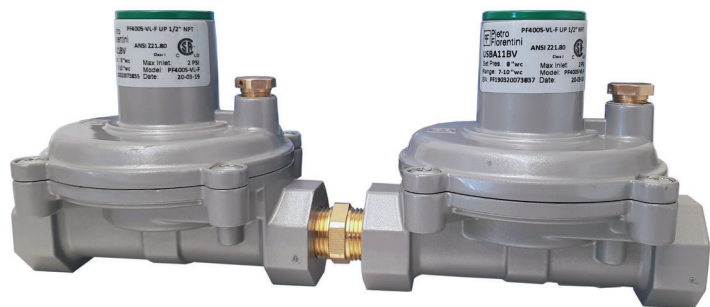
### SAFE, RELIABLE AND HIGH PERFORMANCE

- CSA certified external vent limiter option for indoor installations\*\*
- Both vertical and horizontal installation positions
- Complete lockup in absence of gas flow, 100% bubble tight shutoff
- Designed to be used on furnaces and simple on-off loads.

Note: high efficiency equipment, use high-capacity governors (page 9)



**STANDARD MODEL**  
Inlet Pressure Range: 14" W.C.  
to 2 PSIG

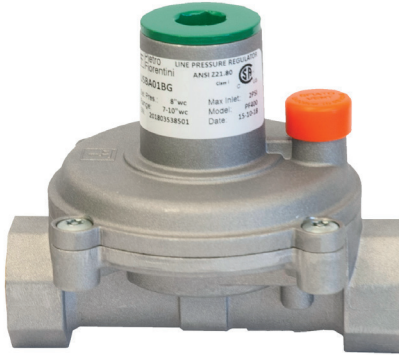


**OVER PRESSURE DEVICE (DC) MODEL**  
Inlet Pressure Range: 2.5 PSIG to 10 PSIG



\*Spring is CSA outlet pressure certified \*\*As approved by local codes and standards \*\*\*Brass vent limiter must be removed for outdoor installation

## PF400S STANDARD MODEL



# 2 PSIG

### MAIN FEATURES

- ANSI Z21.80A-2019 / CSA 6.22A-2019 Class I for outlet pressures up to 14" W.C. certified
- ANSI Z21.18B-2019 / CSA 6.3B-2019 for inlet pressure up to 5 PSIG certified
- External Vent Limiter – no vent line required\*\*
- Positive 100% bubble tight lockup
- Filter included in all models

*Note: not for use on high efficiency equipment*

### SPECIFICATIONS

- Suitable for use with Natural Gas, LPG, and other non-corrosive, clean gas
- Max. Inlet Pressure: CSA rated - 2 PSIG  
Pietro Fiorentini rated -10 PSIG
- Outlet Pressure: 2.5" W.C. to 14" W.C.
- Temperature Range: -40°F to 150°F
- Connections: 3/8" and 1/2"
- Maximum Emergency Inlet Exposure Pressure: 65 PSIG
- Suitable for indoor or outdoor installation\*\*\*

### VENT SIZE

- 1/8" NPT

### OUTLET SPRING RANGE

- Red 2.5" W.C. to 7" W.C.\*
- Black 7" W.C. to 10" W.C.\*
- Yellow 10" W.C. to 14" W.C.\*
- Violet 1.65 PSIG to 2 PSIG

Tab 1

CAPACITY FOR MULTI-APPEARANCE SERVICE (SCF/H)							
Model #	Outlet Pressure Set Point	Operating Inlet Pressure					
		1/2 PSIG	3/4 PSIG	1 PSIG	1 1/2 PSIG	2 PSIG	10 PSIG
PF400 1/2"	2.5" W.C.	160	225	300	350	400	400
	7" W.C.	145	200	275	350	400	400
	10" W.C.	110	200	275	350	400	400
	14" W.C.	/	175	250	325	400	400
PF400 3/8"	2.5" W.C.	160	180	200	225	250	250
	7" W.C.	145	180	200	225	250	250
	10" W.C.	110	180	250	275	300	300
	14" W.C.			200	250	300	300

Actual stated recommended capacities for optimal performance.

For additional sizing, visit [www.linepressureregulator.com](http://www.linepressureregulator.com)

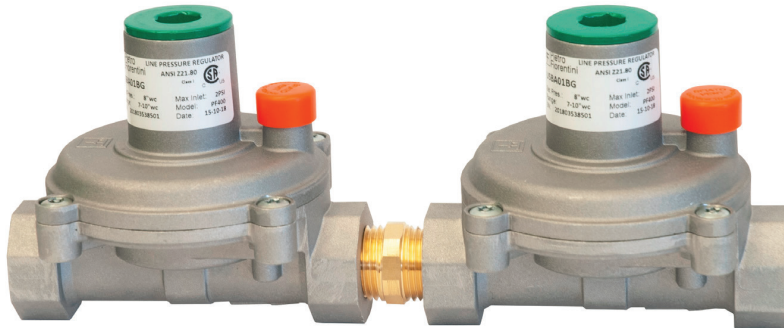
800.554.1036

Single appliance max capacity 140 SCF/H. The flow rate is the same, with or without the filter.

\*Spring is CSA outlet pressure certified \*\*As approved by local codes and standards \*\*\*Brass vent limiter must be removed for outdoor installation

## PF400D DUAL CUT MODEL

# 10 PSIG



### MAIN FEATURES

- 2 stage out for added safety
- ANSI Z21.80A-2019 / CSA 6.22A-2019 Class I for outlet pressures up to 14" W.C. and inlet pressure up to 10 PSIG certified
- ANSI Z21.18B-2019 / CSA 6.3B-2019 for inlet pressure up to 5 PSIG certified
- External Vent Limiter – no vent line required\*\*
- Positive 100% bubble tight lockup
- Filter included in all models

*Note: not for use on high efficiency equipment*

### SPECIFICATIONS

- Suitable for use with Natural Gas, LPG, and other non-corrosive, clean gas
- Max. Inlet Pressure: CSA rated - 10 PSIG  
Pietro Fiorentini rated -10 PSIG
- Outlet Pressure: 2.5" W.C. to 14" W.C.
- Temperature Range: -40°F to 150°F
- Connections: 3/8" and 1/2"
- Maximum Emergency Inlet Exposure Pressure: 65 PSIG
- Suitable for indoor or outdoor installation\*\*\*

### VENT SIZE

- 1/8" NPT

### OUTLET SPRING RANGE

- Red 2.5" W.C. to 7" W.C.\*
- Black 7" W.C. to 10" W.C.\*
- Yellow 10" W.C. to 14" W.C.\*
- Violet 1.65 PSIG to 2 PSIG

Tab 2

### CAPACITY FOR MULTI-APPEARANCE SERVICE (SCF/H)

Model #	Outlet Pressure Set Point	Operating Inlet Pressure		
		1 PSIG	5 PSIG	10 PSIG
PF400 1/2"	2.5" W.C.	400	400	400
	7" W.C.	400	400	400
	10" W.C.	400	400	400
	14" W.C.	400	400	400
PF400 3/8"	2.5" W.C.	200	250	250
	7" W.C.	250	250	250
	10" W.C.	300	300	300
	14" W.C.	300	300	300

Actual stated recommended capacities for optimal performance.

For additional sizing, visit [www.linepressureregulator.com](http://www.linepressureregulator.com)

800.554.1036

Single appliance max capacity 140 SCF/H. The flow rate is the same, with or without the filter.

\*Spring is CSA outlet pressure certified \*\*As approved by local codes and standards \*\*\*Brass vent limiter must be removed for outdoor installation

# GOVERNOR LINE PRESSURE REGULATORS

Pietro Fiorentini's GOVERNOR line of gas regulators are designed to comply with the latest CSA and international standards for regulators suitable for indoor and outdoor installations with no modifications.

The GOVERNOR family of regulators are ideal for a wide range of residential through large industrial applications. The materials and soft parts used in the construction of the GOVERNOR regulators make them suitable for use with natural gas, LPG, Propane air and other non-corrosive gases.

All GOVERNOR regulators are equipped with balanced valve design for improved high outlet pressure accuracy regardless of Inlet pressure variation. The double diaphragm with integral vent limiter provides added security. The external vent limiter reduces piping costs and the need for costly vent piping for indoor installations and complies with CSA guidelines.\*\* The number of high capacities and regulator options sometimes eliminates the need for separate units and significantly reduces installation costs.

## SAFE, RELIABLE AND HIGH PERFORMANCE

- Double diaphragm for added safety and greater reliability of service
- Internal vent limiter: non removable, for indoor and outdoor installations.
- CSA certified external vent limiter option for indoor installations.\*\*
- Double diaphragm for added safety and greater reliability of service.
- Balanced valve design gives you for increase capacity, high 500 to 1 turndown and stable regulation from low to high flow.
- Complete lockup in absence of gas flow, 100% bubble tight shutoff.
- Filter included in all models.

## MATERIALS

- Body & Cover: Aluminum Alloy
- External Coatings: Polyurethane paint upon request
- Diaphragm, O Rings & Valve: Nitrile Rubber
- Diaphragm Pan: Aluminized Steel



### STANDARD

Inlet Pressure Range:  
3" W.C. to 7.25 PSIG



### OVER PRESSURE DEVICE (OPD) MODEL

Inlet Pressure Range:  
7" W.C. to 10 PSIG



### OVER PRESSURE DEVICE (DC) MODEL

Inlet Pressure Range:  
3 PSIG to 10 PSIG

\*Spring is CSA outlet pressure certified \*\*As approved by local codes and standards \*\*\*Brass vent limiter must be removed for outdoor installation

## APPLICATION NOTES

1. The GOVERNOR regulator is ANSI Z21.80A-2019 / CSA 6.22A-2019 and ANSI Z21.18B-2019 / CSA 6.3B-2019 certified for vent limited installations (indoor installations where a vent line is not required), depending upon local codes and standards. Per the terminology of the standard, there is no “vent less regulator”, they are vent limited because they can leak up to 2.5 cu. ft. per hr. (1 cu. ft. per hr. for propane gas). The regulators can be installed per code without installing a vent line, but are technically termed “vent limited” per the standard, not vent less.
2. The tables listed are guidelines in capacity. The actual capacity can differ based on inlet and outlet piping, type of equipment installed and differential flow pressure of the system.
3. The GOVERNOR is a bubble tight full lockup regulator (it will not leak gas downstream when it shuts off). Lock up of the GOVERNOR is certified to ANSI Z21.80A-2019 / CSA 6.22A-2019 and ANSI Z21.18B-2019 / CSA 6.3B-2019 standard. Lock up in any given installation can vary based on, piping, snap acting gas valves on high efficiency equipment, firing rate at the time of equipment shut off, debris in the line, temperature, as well as many other variables. You may see variations in lock up in some installations due to the above. Pietro Fiorentini will not guarantee the lock up will meet your equipment requirement due to these variations in installations and piping.
4. **The low-capacity GOVERNORS 3/8" - 1" are intended for use on equipment such as unit heaters or simple on/off furnace applications single load.**
5. **Use the high-capacity GOVERNORS on all “High Efficiency” quick acting gas valve applications, such as generators, pool heaters, or high turn down boilers. Install a regulator on each individual piece of equipment. Size the regulator at minimum 50% to 100% of listed capacity to minimize high lock-up.**
6. Try to match the GOVERNOR regulator to the pipe size of the equipment and minimize pressure drop between the regulator and equipment to 1" W.C.. Minimize the amount of elbows and fittings between the regulator and the equipment and use full port ball valves not plug valves or reduced port valves.
7. Be careful on applications where you increase the outlet piping more than 1 diameter. You may need to install an external control line in the larger piping. The GOVERNOR can be ordered with or retrofitted with an external control line except low-capacity models.
8. On all installations, make sure you don't install the regulator directly at the equipment. Install the regulator 3 to 10 feet away depending on the application.
9. Never install the external brass vent limiter outdoors. For outdoor installations, install appropriate vent protection.
10. If there are ever any questions on the installation or application of the Governor regulator, immediately contact your local authorized distributor or representative.
11. The maximum inlet pressure on the regulator label is the required maximum pressure of the ANSI Z21.80A-2012 / CSA 6.22A-2012 (R2016) and ANSI Z21.18B-2012 / CSA 6.3B-2012 (R2017) rating. It is not always the maximum allowable operating inlet pressure of the regulator. The rating is a CSA requirement.

## GOVERNOR STANDARD MODEL

# 2 PSIG



### STANDARD MODEL

#### MAIN FEATURES

- ANSI Z21.80A-2019 / CSA 6.22A-2019 Class I for outlet pressures up to 14" W.C. certified
- ANSI Z21.18B-2019 / CSA 6.3B-2019 for inlet pressure up to 5 PSIG certified
- Integral Vent Limiter
- External Vent Limiter – no vent line required\*\*
- Positive 100% bubble tight lockup
- Inlet and Outlet test ports
- 500 to 1 Turndown
- Filter included in all models

#### VENT SIZE

- ¼" NPT - ½" – 1"
- ½" NPT – 1 ¼" – 4"

#### OUTLET SPRING RANGE

- Green 2" W.C. to 5.1" W.C.\*
- Red 2.75" W.C. to 7.87" W.C.\*
- Black 6" W.C. to 14" W.C.\*
- Yellow 9.8" W.C. to 27.5" W.C.
- Violet 23.6" W.C. to 2.13 PSIG
- Orange 2 to 4.26 PSIG

#### SPECIFICATIONS

- Suitable for use with Natural Gas, LPG, and other non-corrosive, clean gas
- Max. Inlet Pressure: CSA rated - 2 PSIG  
Non-CSA applications - 7.25 PSIG
- Outlet Pressure: 2" W.C. to 14" W.C. and up to 4.25 PSIG for non-CSA applications
- Temperature Range: -40°F to 150°F
- Connections: ½" - 4"
- Maximum Emergency Inlet Exposure Pressure: 80 PSIG
- Suitable for indoor or outdoor installation\*\*\*

*Do not use 31051, 31052, and 31053 on high efficiency generators or boilers*

\*Spring is CSA outlet pressure certified \*\*As approved by local codes and standards \*\*\*Brass vent limiter must be removed for outdoor installation



## GOVERNOR STANDARD MODEL

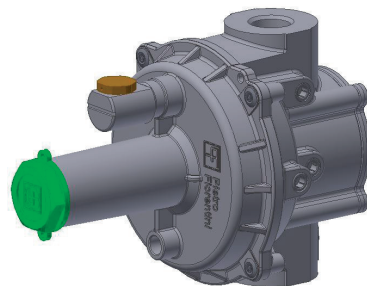
### CAPACITY IN CFH FOR .60 SPECIFIC GRAVITY GAS WITH FILTER (CAPACITY WITHOUT FILTER IN BRACKETS)

**Tab 3**

Model #	Outlet Pressure Set Point	Operating Inlet Pressure		
		14" W.C.	1 PSIG	2 PSIG
31051 ½"	8" W.C.	306 (360)	552 (649)	785 (923)
	11" W.C.	218 (256)	511 (601)	788 (927)
31052 ¾"	8" W.C.	369 (450)	665 (812)	946 (1,154)
	11" W.C.	363 (321)	616 (751)	950 (1,1548)
31053 1"	8" W.C.	495 (585)	893 (1,055)	1,154 (1,270)
	11" W.C.	353 (417)	826 (977)	1,154 (1,270)
31150 ½" high capacity	8" W.C.	675 (855)	1,218 (1,543)	1,731 (2,193)
	11" W.C.	481 (609)	1,127 (1,428)	1,738 (2,201)
31151 ¾" high capacity	8" W.C.	788 (1,080)	1,421 (1,949)	2,020 (2,771)
	11" W.C.	561 (770)	1,315 (1,803)	2,028 (2,781)
31152 1" high capacity	8" W.C.	990 (1,283)	1,786 (2,314)	2,540 (3,290)
	11" W.C.	706 (914)	1,653 (2,142)	2,354 (3,302)
31153 1¼"	8" W.C.	2,071 (3,062)	3,735 (5,522)	5,311 (7,851)
	11" W.C.	1,476 (2,183)	3,457 (5,110)	5,330 (7,880)
31154 1½"	8" W.C.	2,567 (3,197)	4,629 (5,766)	6,581 (8,197)
	11" W.C.	1,829 (2,279)	4,284 (5,336)	6,605 (8,228)
31155 2"	8" W.C.	5,179 (5,854)	9,339 (10,557)	13,278 (15,009)
	11" W.C.	3,691 (4,173)	8,643 (9,770)	13,327 (15,065)
31156/F 2½"	8" W.C.	6,530 (7,431)	11,775 (13,999)	16,741 (19,051)
	11" W.C.	4,655 (5,297)	10,898 (12,401)	16,803 (19,121)
31157/F 3"	8" W.C.	7,205 (9,007)	12,993 (16,242)	18,473 (23,092)
	11" W.C.	5,136 (6,240)	12,025 (15,032)	18,542 (23,177)
31158/F 4"	8" W.C.	12,835 (15,762)	23,245 (28,424)	32,906 (40,411)
	11" W.C.	9,149 (11,236)	21,420 (26,306)	33,027 (40,560)

NOTE: for capacities at 1.5 PSIG inlet pressure capacity is reduced by 10% or a .9 multiplier from the 2 PSIG table.

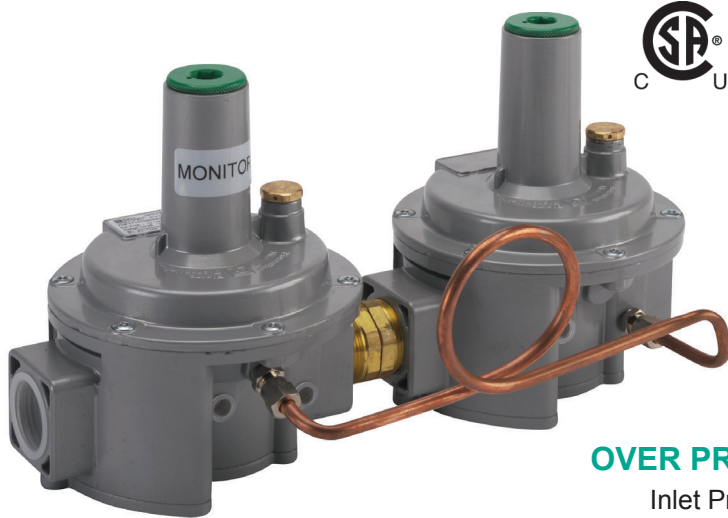
For additional sizing, visit [www.linepressureregulator.com](http://www.linepressureregulator.com) • 800.554.1036



\*Spring is CSA outlet pressure certified \*\*As approved by local codes and standards \*\*\*Brass vent limiter must be removed for outdoor installation

## OVER PRESSURE DEVICE (OPD)

# 10 PSIG



### OVER PRESSURE DEVICE (OPD) MODEL

Inlet Pressure Range: 7" W.C. to 10 PSIG

#### MAIN FEATURES

- Worker & Monitor for over pressure protection
- ANSI Z21.80A-2019/ CSA 6.22A-2019 Class I up to 14" W.C. and Class II for outlet pressures up to 1 PSIG and inlet pressures up to 10 PSIG certified
- ANSI Z21.18B-2019 / CSA 6.3B-2019 for inlet pressure up to 5 PSIG certified
- Integral Vent Limiter
- External Vent Limiter – no vent line required\*\*
- Positive 100% bubble tight lockup
- Inlet and Outlet test ports
- 500 to 1 Turndown
- Filter included in all models

#### SPECIFICATIONS

- Suitable for use with Natural Gas, LPG, and other non-corrosive, clean gas
- Max. Inlet Pressure: CSA rated - 10 PSIG  
Non-CSA rated - 10 PSIG
- Outlet pressure: 2" W.C. to 1 PSIG for CSA and up to 3 PSIG for non-CSA applications
- Temperature Range: -40°F to 150°F
- Connections: 1/2" - 4"

*Maximum Emergency Inlet Exposure Pressure: 80 PSIG*

*Do not use 31051, 31052, and 31053 on high efficiency generators or boilers*

*Suitable for indoor or outdoor installation\*\*\**

#### MAIN FEATURES

- 1/4" NPT - 1/2" – 1"
- 1/2" NPT - 1 1/4" – 4"

#### MAIN FEATURES

- Green 2" W.C. to 5.1" W.C.\*
- Red 2.75" W.C. to 7.87" W.C.\*
- Black 6" W.C. to 14" W.C.\*
- Yellow 9.8" W.C. to 27.5" W.C.\*
- Violet 23.6" W.C. to 2.13 PSIG\*
- Orange 2 to 4.26 PSIG

\*Spring is CSA outlet pressure certified \*\*As approved by local codes and standards \*\*\*Brass vent limiter must be removed for outdoor installation

## OVER PRESSURE DEVICE (OPD)

### CAPACITY IN CFH FOR .60 SPECIFIC GRAVITY GAS WITH FILTER (CAPACITY WITHOUT FILTER IN BRACKETS)

Tab 4

Model #	Outlet Pressure Set Point	Operating Inlet Pressure		
		3 PSIG	5 PSIG	10 PSIG
31051 OPD ½"	8" W.C.	785 (923)	785 (923)	785 (923)
	11" W.C.	788 (927)	788 (927)	788 (927)
	14" W.C.	790 (930)	790 (930)	790 (930)
31052 OPD ¾"	8" W.C.	946 (1,154)	946 (1,154)	946 (1,154)
	11" W.C.	950 (1,158)	950 (1,158)	950 (1,158)
	14" W.C.	953 (1,163)	953 (1,163)	953 (1,163)
31053 OPD 1"	8" W.C.	1,270 (1,500)	1,270 (1,500)	1,270 (1,500)
	11" W.C.	1,274 (1,506)	1,274 (1,506)	1,274 (1,506)
	14" W.C.	1,279 (1,512)	1,279 (1,512)	1,279 (1,512)
31150 OPD ½" high capacity	8" W.C.	1,731 (2,193)	1,731 (2,193)	1,731 (2,193)
	11" W.C.	1,738 (2,201)	1,738 (2,201)	1,738 (2,201)
	14" W.C.	1,744 (2,209)	1,744 (2,209)	1,744 (2,209)
31151 OPD ¾" high capacity	8" W.C.	2,020 (2,771)	2,020 (2,771)	2,020 (2,771)
	11" W.C.	2,028 (2,781)	2,028 (2,781)	2,028 (2,781)
	14" W.C.	2,035 (2,791)	2,035 (2,791)	2,035 (2,791)
31152 OPD 1" high capacity	8" W.C.	2,540 (3,290)	2,540 (3,290)	2,540 (3,290)
	11" W.C.	2,549 (3,302)	2,549 (3,302)	2,549 (3,302)
	14" W.C.	2,558 (3,314)	2,558 (3,314)	2,558 (3,314)
31153 OPD 1¼"	8" W.C.	5,311 (7,851)	5,311 (7,851)	5,311 (7,851)
	11" W.C.	5,330 (7,880)	5,330 (7,880)	5,330 (7,880)
	14" W.C.	5,350 (7,909)	5,350 (7,909)	5,350 (7,909)
31154 OPD 1½"	8" W.C.	6,581 (8,197)	6,581 (8,197)	6,581 (8,197)
	11" W.C.	6,605 (8,228)	6,605 (8,228)	6,605 (8,228)
	14" W.C.	6,629 (8,258)	6,629 (8,258)	6,629 (8,258)
31155 OPD 2"	8" W.C.	13,278 (15,009)	13,278 (15,009)	13,278 (15,009)
	11" W.C.	13,327 (15,009)	13,327 (15,065)	13,327 (15,065)
	14" W.C.	13,375 (15,120)	13,375 (15,009)	13,375 (15,120)
31156/F OPD 2½"	8" W.C.	16,741 (19,741)	16,741 (19,741)	16,741 (19,741)
	11" W.C.	16,803 (19,121)	16,083 (19,121)	16,083 (19,121)
	14" W.C.	16,865 (19,191)	16,865 (19,191)	16,865 (19,191)
31157/F OPD 3"	8" W.C.	18,473 (23,092)	18,473 (23,092)	18,473 (23,092)
	11" W.C.	18,542 (23,177)	18,542 (23,177)	18,542 (23,177)
	14" W.C.	18,610 (23,262)	18,610 (23,262)	18,610 (23,262)
31158/F OPD 4"	8" W.C.	32,906 (40,411)	32,906 (40,411)	32,906 (40,411)
	11" W.C.	32,027 (40,560)	33,027 (40,560)	33,027 (40,560)
	14" W.C.	33,149 (40,411)	33,149 (40,709)	33,149 (40,709)

NOTE: for capacities at 1.5 PSIG inlet pressure capacity is reduced by 10% or a .9 multiplier from the 2 PSIG table.

For additional sizing, visit [www.linepressureregulator.com](http://www.linepressureregulator.com) • 800.554.1036

## OVER PRESSURE DEVICE (DC)

# 10 PSIG



**OVER PRESSURE DEVICE (DC) MODEL**  
Inlet Pressure Range: 3 PSIG to 10 PSIG

### MAIN FEATURES

- Two stage regulation for over pressure protection
- ANSI Z21.80A-2019/ CSA 6.22A-2019 Class I up to 14" W.C. and Class II for outlet pressures up to 1 PSIG and inlet pressures up to 10 PSIG certified
- ANSI Z21.18B-2019 / CSA 6.3B-2019 for inlet pressure up to 10 PSIG certified
- Integral Vent Limiter
- External Vent Limiter – no vent line required\*\*
- Positive 100% bubble tight lockup
- Inlet and Outlet test ports
- 500 to 1 Turndown
- Filter included in all models

### VENT SIZE

- 1/4" NPT - 1/2" – 1"
- 1/2" NPT – 1 1/4" – 4"

### OUTLET SPRING RANGE

- Green 2" W.C. to 5.1" W.C.\*
- Red 2.75" W.C. to 7.87" W.C.\*
- Black 6" W.C. to 14" W.C.\*
- Yellow 9.8" W.C. to 27.5" W.C.\*
- Violet 23.6" W.C. to 2.13 PSIG\*
- Orange 2 to 4.26 PSIG

### SPECIFICATIONS

- Suitable for use with Natural Gas, LPG, and other non-corrosive, clean gas
- Inlet Pressure: 3 PSIG to 10 PSIG
- Max. Inlet Pressure: CSA rated - 10 PSIG  
Pietro Fiorentini rated - 10 PSIG
- Outlet pressure: 2" W.C. to 1 PSIG for CSA and up to 3 PSIG for non-CSA applications
- Temperature range: -40°F to 150°F
- Connections: 1/2" thru 4"
- Maximum Emergency Inlet Exposure Pressure: 80 PSIG

*Do not use 31051, 31052, and 31053 on high efficiency generators or boilers*

*Suitable for indoor or outdoor installation\*\*\**

\*Spring is CSA outlet pressure certified \*\*As approved by local codes and standards \*\*\*Brass vent limiter must be removed for outdoor installation

## OVER PRESSURE DEVICE (DC)

### CAPACITY IN CFH FOR .60 SPECIFIC GRAVITY GAS WITH FILTER (CAPACITY WITHOUT FILTER IN BRACKETS)

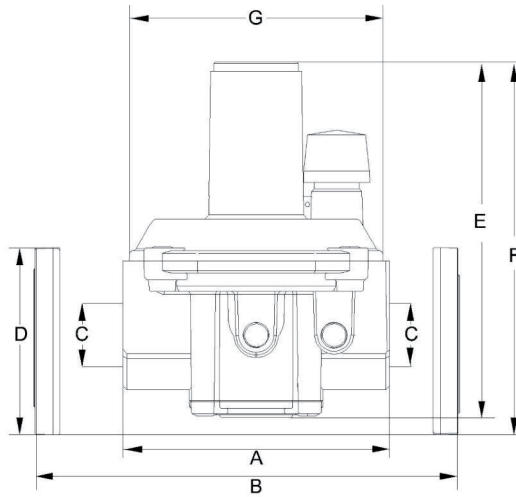
**Tab 5**

Model #	Outlet Pressure Set Point	Operating Inlet Pressure		
		3 PSIG	5 PSIG	10 PSIG
31051 DC ½"	8" W.C.	785 (923)	785 (923)	785 (923)
	11" W.C.	788 (927)	788 (927)	788 (927)
	14" W.C.	790 (930)	790 (930)	790 (930)
31052 DC ¾"	8" W.C.	946 (1,154)	946 (1,154)	946 (1,154)
	11" W.C.	950 (1,158)	950 (1,158)	950 (1,158)
	14" W.C.	953 (1,163)	953 (1,163)	953 (1,163)
31053 DC 1"	8" W.C.	1,270 (1,500)	1,270 (1,500)	1,270 (1,500)
	11" W.C.	1,274 (1,506)	1,274 (1,506)	1,274 (1,506)
	14" W.C.	1,279 (1,512)	1,279 (1,512)	1,279 (1,512)
31150 DC ½" high capacity	8" W.C.	1,731 (2,193)	1,731 (2,193)	1,731 (2,193)
	11" W.C.	1,738 (2,201)	1,738 (2,201)	1,738 (2,201)
	14" W.C.	1,744 (2,209)	1,744 (2,209)	1,744 (2,209)
31151 DC ¾" high capacity	8" W.C.	2,020 (2,771)	2,020 (2,771)	2,020 (2,771)
	11" W.C.	2,028 (2,781)	2,028 (2,781)	2,028 (2,781)
	14" W.C.	2,035 (2,791)	2,035 (2,791)	2,035 (2,791)
31152 DC 1" high capacity	8" W.C.	2,540 (3,290)	2,540 (3,290)	2,540 (3,290)
	11" W.C.	2,549 (3,302)	2,549 (3,302)	2,549 (3,302)
	14" W.C.	2,558 (3,314)	2,558 (3,314)	2,558 (3,314)
31153 DC 1¼"	8" W.C.	5,311 (7,851)	5,311 (7,851)	5,311 (7,851)
	11" W.C.	5,330 (7,880)	5,330 (7,880)	5,330 (7,880)
	14" W.C.	5,350 (7,909)	5,350 (7,909)	5,350 (7,909)
31154 DC 1½"	8" W.C.	6,581 (8,197)	6,581 (8,197)	6,581 (8,197)
	11" W.C.	6,605 (8,228)	6,605 (8,228)	6,605 (8,228)
	14" W.C.	6,629 (8,258)	6,629 (8,258)	6,629 (8,258)
31155 DC 2"	8" W.C.	13,278 (15,009)	13,278 (15,009)	13,278 (15,009)
	11" W.C.	13,327 (15,065)	13,327 (15,065)	13,327 (15,065)
	14" W.C.	13,375 (15,120)	13,375 (15,120)	13,375 (15,120)
31156/F DC 2½"	8" W.C.	16,741 (19,051)	16,741 (19,051)	16,741 (19,051)
	11" W.C.	16,803 (19,121)	16,803 (19,121)	16,803 (19,121)
	14" W.C.	16,865 (19,191)	16,865 (19,191)	16,865 (19,191)
31157/F DC 3"	8" W.C.	18,473 (23,092)	18,473 (23,092)	18,473 (23,092)
	11" W.C.	18,542 (23,177)	18,542 (23,177)	18,542 (23,177)
	14" W.C.	18,610 (23,262)	18,610 (23,262)	18,610 (23,262)
31158/F DC 4"	8" W.C.	32,906 (40,411)	32,906 (40,411)	32,906 (40,411)
	11" W.C.	32,027 (40,560)	32,027 (40,560)	32,027 (40,560)
	14" W.C.	33,149 (40,709)	33,149 (40,709)	33,149 (40,709)

NOTE: for capacities at 1.5 PSIG inlet pressure capacity is reduced by 10% or a .9 multiplier from the 2 PSIG table.

For additional sizing, visit [www.linepressureregulator.com](http://www.linepressureregulator.com) • 800.554.1036

## STANDARD MODEL DIMENSIONS

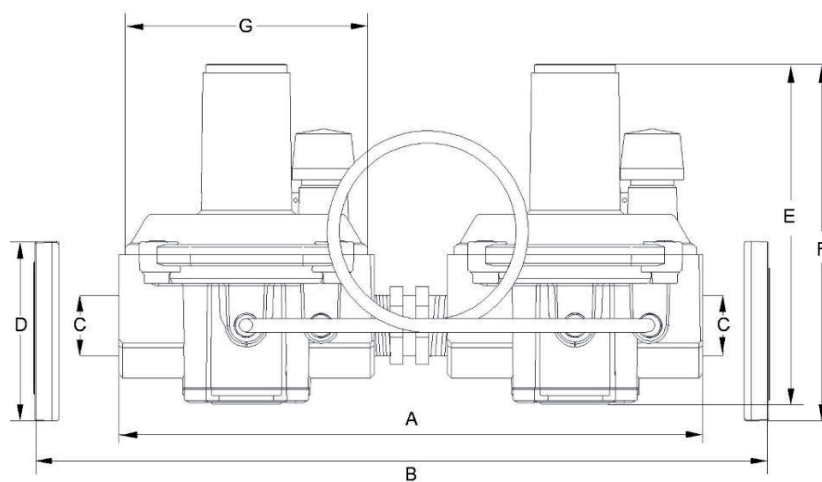


Tab 6

Model	Size	A	B	C	D	E	F	G*	Weight (lbs)
PF400S	3/8 NPT	3.90	-	3/8	-	3.42	-	3.10	0.56
PF400S	1/2" NPT	3.90	-	1/2	-	3.42	-	3.10	0.56
31051	1/2" NPT	4.09	-	1/2	-	5.59	-	3.78	1.61
31052	3/4" NPT	4.09	-	3/4	-	5.59	-	3.78	1.55
31053	1" NPT	4.09	-	1	-	5.59	-	3.78	1.47
31150	1/2" NPT	4.72	-	1/2	-	6.89	-	4.49	2.22
31151	3/4" NPT	4.72	-	3/4	-	6.89	-	4.49	2.16
31152	1" NPT	4.72	-	1	-	6.89	-	4.49	2.01
31153	1 1/4" NPT	7.68	-	1 1/4	-	10	-	7.56	7.92
31154	1 1/2" NPT	7.68	-	1 1/2	-	10	-	7.56	7.76
31155	2" NPT	9.29	-	2	-	12.44	13.74	7.56	12.18
31156/F	2 1/2" FLANGED	-	16.9	3	ANSI 150	-	17.09	12.52	35.00
31157/F	3" FLANGED	-	16.9	3	ANSI 150	-	17.09	12.52	34.00
31158/F	4" FLANGED	-	16.9	4	ANSI 150	-	19.76	12.52	32.00

\* (G) Dimensions is the width of the regulator Test connections 1/8" NPT

## OVER PRESSURE DEVICE (DC OR OPD) MODEL DIMENSIONS


**Tab 7**

Model	Size	A	B	C	D	E	F	G*	Weight (lbs)
PF400D	3/8 NPT	8.40	-	3/8	-	3.42	-	3.10	1.18
PF400D	1/2" NPT	8.50	-	1/2	-	3.42	-	3.10	1.20
31051	1/2" NPT	8.46	-	1/2	-	5.59	-	3.78	3.83
31052	3/4" NPT	8.46	-	3/4	-	5.59	-	3.78	3.67
31053	1" NPT	8.46	-	1	-	5.59	-	3.78	3.66
31150	1/2" NPT	10.10	-	1/2	-	6.89	-	4.49	4.89
31151	3/4" NPT	10.10	-	3/4	-	6.89	-	4.49	4.62
31152	1" NPT	10.10	-	1	-	6.89	-	4.49	4.77
31153	1 1/4" NPT	16.69	-	1 1/4	-	10	-	7.56	17.92
31154	1 1/2" NPT	16.69	-	1 1/2	-	10	-	7.56	17.6
31155	2" NPT	19.88	-	2	-	12.44	13.74	7.56	27
31156/F	2 1/2" FLANGED	-	33.93	3	ANSI 150	-	17.09	12.52	69
31157/F	3" FLANGED	-	33.93	3	ANSI 150	-	17.09	12.52	67
31158/F	4" FLANGED	-	33.93	4	ANSI 150	-	19.76	12.52	66

\* (G) Dimensions is the width of the regulator  
Test connections 1/8" NPT



**EQUIPMENT CONTROLS COMPANY**

Ph: 800.554.1036

[www.equipmentcontrols.com](http://www.equipmentcontrols.com)

