



Sonix IQ™

For Residential Gas Meter Applications



The Sonix IQ ultrasonic gas meter provides pinpoint measurement of natural gas using ultrasonic technology. This solid state meter has no moving parts to replace or wear out over time. Featuring an available FlexNet® radio integrated inside the meter housing - the Sonix IQ packs in value within a compact size.

FEATURES

- Dual-class metrology: 250 CFH or 425 CFH
- 90-day hourly data logs
- Built-in theft and tamper detection
- Available pulse output
- Optional FlexNet capability

BENEFITS

- Compact footprint
- Two-way communications when used with a Sensus FlexNet communication network
- Supports third party radios
- Continuous health checks through safety alerts and alarms
- Streamlined asset management with Sonix IQ's 20 year battery life

Unprecedented Flexibility

The Sonix IQ provides 250 CFH or 425 CFH within the same form factor. The pulse output, scalable by user configuration, supports third-party endpoints. The Sonix IQ with the optional SmartPoint® module provides full two-way communications when combined with the Sensus FlexNet communication network.

Built-in Intelligence

The Sonix IQ offers continuous health checks with system safety alerts, hardware alarms, and battery management alerts. The base LCD offers reading volume and alarms. Optional scrolling LCD items include uncorrected volume, temperature, pressure fixed, pressure monitor, and flow rate. The Sonix IQ logs hourly data and stores it for up to 90 days at a time.

Lifetime Value

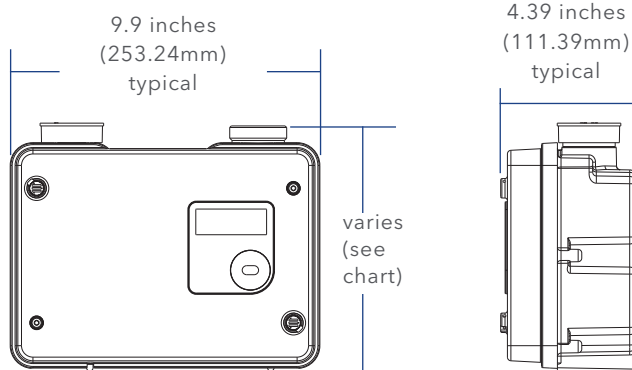
The Sonix IQ offers an extended battery life of 20 years. Planning for maintenance and asset management costs has never been easier. The Sonix IQ has a compact footprint enabling utilities to deploy it where other traditional gas meters do not fit. The small size creates the added benefit of increased efficiency in shipping and storage.





Height

10 LT	7.93 in. (201.43mm)
20 LT	7.89 in. (200.39mm)
30 LT	8.23 in. (209.05mm)
Sprague #1A	7.99 in. (202.83mm)
1-1/4" NPT	7.99 in. (202.83mm)



Specifications

	250 Series	425 Series
Capacity	250 CFH at 1/2" differential	425 CFH at 1/2" differential
Range	250 CFH (7m3/hr) at 1/2" W.C. Differential ±1% from 10 CFH to Qmax 250 CFH with 0.6 specific gravity gas ±2% from 3 to 10 CFH, with 0.6 specific gravity gas	425 CFH (12m3/hr) at 1/2" W.C. Differential ±1% from 15 CFH to Qmax 425 CFH, with 0.6 specific gravity gas ±2% from 5 to 15 CFH, with 0.6 specific gravity gas.
Low Flow Cutoff	0.25 cfh (7 liters/hr)	
Connections	All available connections are on 6 in. (152mm) center to center. Recommended mounting with connections up.	
Maximum Allowable Operating Pressure	10 psig	
Dimensions (average)	9.94 in. L x 4.38 in. W x 7.89 in. H (252.5mm L x 111.3mm W x 200.4mm H)	
Weight	6.3 lb (2.86 kg)	
Pressure Compensation	User configurable fixed factored for operating, base, and atmospheric pressure.	
Operating Temperature	-30° to +130°F (-35° to +55°C) ±1.0% temperature or non temperature compensating options.	
Storage Temperature	-40° to +150°F (-40° to +66°C)	
Operating & Storage Humidity	0 to 95% external relative humidity (non-condensing and condensing). IP54. For clean dry natural gas applications.	
Accuracy	Complies with ANSI B109.1, PS-G-06.	
Intrinsic Safety	Class I, II, III, Division 2, Group D, F, G, T4 in accordance with IAS 12.12.01/CSA C22.2 No 213.	