



# SmartPoint GM Transceiver

## For Residential Gas Meter Applications

The FlexNet® SmartPoint® GM transceiver for residential applications connects gas utilities with their customers, harnessing the power of two-way communication for superior service and operational excellence.

### Educate with information, satisfy with answers

Consistent meter readings, with detail down to hourly increments, provide insight to consumption patterns and can alert you to non-standard conditions - so you can take appropriate action.

### Walk-by - Drive-by - Fixed Base

FlexNet SmartPoint transceivers are designed for gas utilities. Our transceivers broadcast at two watts of power, which requires far less infrastructure to communicate than other systems. That means less dependence (and recurring costs) of partnerships and greater independence for your organization. What's more, FlexNet SmartPoint transceivers can be installed as walk-by, drive-by or fixed base communication endpoints, then have their broadcast platform reconfigured easily for true operational efficiency. So they grow with your business and allow you to reach beyond your limitations.

### Specifications

The SmartPoint GM residential transceiver is designed for direct-mount to the meter, interfacing with the gas meter drive assembly and allowing re-use of the existing meter index.

Broadcast Power	2 watts
Frequency Range	896-960MHz
Channels	8000 x 6.25kHz steps
Modulation	Proprietary narrow band
Memory	Non-volatile
Operating Environment	Class I/Div. 2
Operating Temperature	-30° F to +150° F
Power	Lithium thionyl chloride (LiSOCl <sub>2</sub> ) batteries in conjunction with a hybrid layer capacitor (HLC)
Warranty	20 years

### FEATURES

- Three operational modes: walk-by, drive-by or fixed-base
- Two watts broadcast power
- Secure, encrypted data
- Over-the-air firmware download
- 20-year battery warranty

### BENEFITS

- Flexible operation
- Less infrastructure
- Operational savings
- Enhances customer satisfaction

### APPROVALS

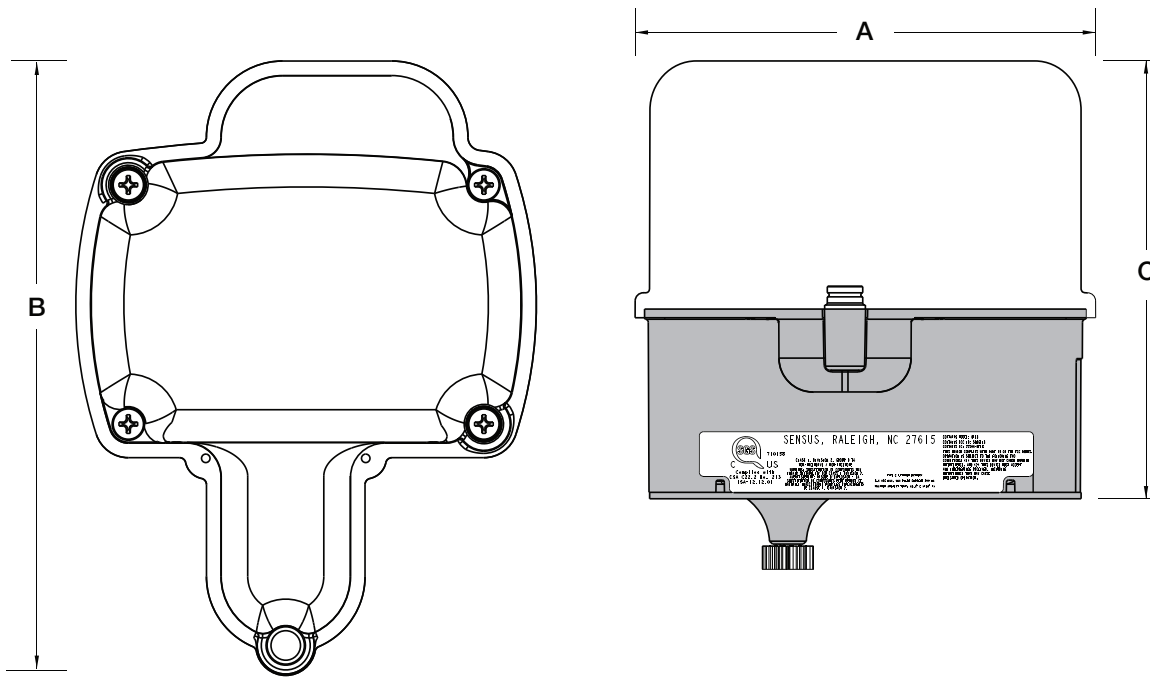
United States  
FCC CFR 47: Part 24D, Part 101C, Part 15  
licensed operation

Canada  
Industry Canada (IC) RSS-GEN RSS-119, RSS-210



# SmartPoint® GM Transceiver

## For Residential Gas Meter Applications



### Meter Compatibility

	Meter	SmartPoint Model	Width (A)	Height (B)	Depth (C)	Weight
Sensus (Rockwell/ Equimeter/ Invensys)	R-175, R200, R-275, R315, S200 (11-tooth)	100GM-A	4.45"	5.94"	4.24"	15.2 oz.
	415 (18-tooth)	100GM-B				
	MR-8 (16-tooth, short)	100GM-C				
	MR-12 (16-tooth long)	100GM-D				
Itron (Actaris/ Schlumberger/ Sprague)	240, S240, 250, i250, 250WC, Metris 250, 400*, 400A (All slant face/3-hole index cover)	200GM	6.40"	5.97"	5.24"	18.4 oz.
		*200GM-E			*6.03"	21.4 oz.
Honeywell (Elster / American)	AL175, AC175, AT175, AT210, AL250, AT250, AM250, AL425, AC630	300GM	7.13"	6.41"	4.32"	20.5 oz.
National (Lancaster)	175, 250	400GM	6.64"	6.09"	5.04"	18.4 oz.



637 Davis Drive  
Morrisville, NC 27560  
1-800-638-3748  
sensus.com

©2020 Sensus. All products purchased and services performed are subject to Sensus' terms of sale, available at either [sensus.com/TC](https://www.sensus.com/TC) or 1-800-638-3748. Sensus reserves the right to modify these terms and conditions in its own discretion without notice to the customer. *The Sensus logo is a registered trademark of Sensus.*

This document is for informational purposes only, and SENSUS MAKES NO EXPRESS WARRANTIES IN THIS DOCUMENT. FURTHERMORE, THERE ARE NO IMPLIED WARRANTIES, INCLUDING WITHOUT LIMITATION, WARRANTIES AS TO FITNESS FOR A PARTICULAR PURPOSE AND MERCHANTABILITY. ANY USE OF THE PRODUCTS THAT IS NOT SPECIFICALLY PERMITTED HEREIN IS PROHIBITED.