

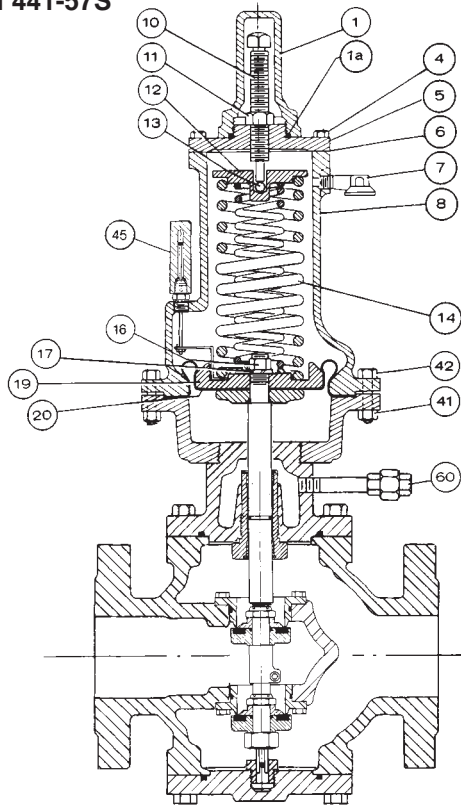
**Regulator Parts List**

**Model 441-57S**

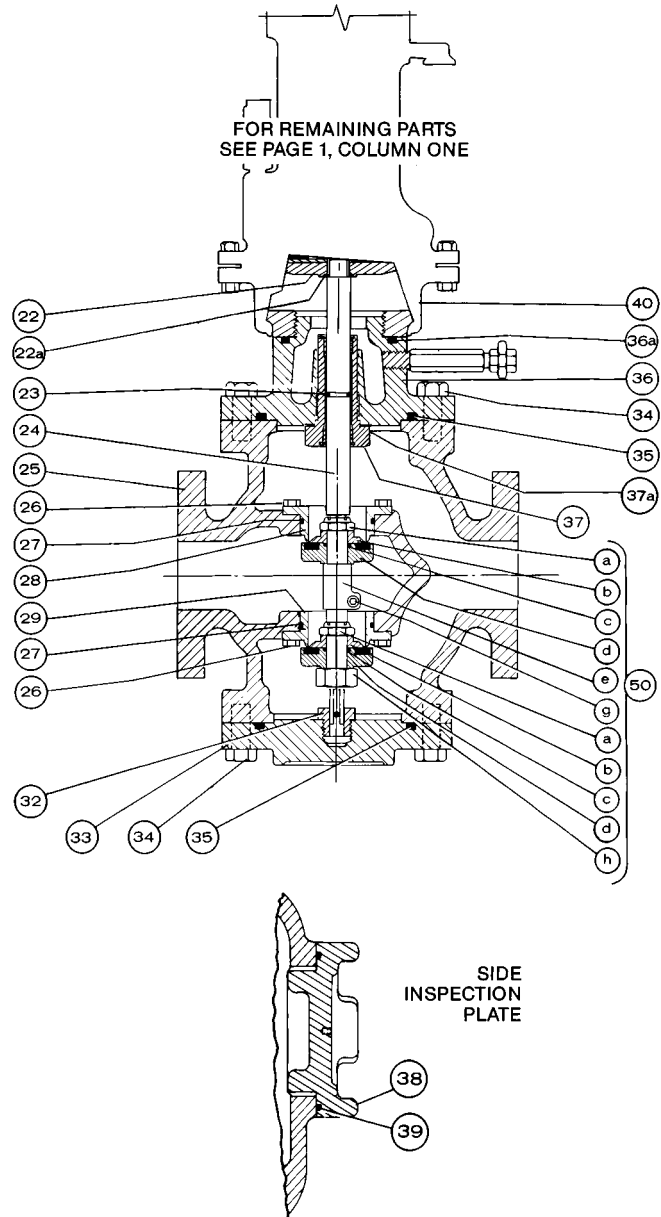
---

**Parts List  
Model 441-57S  
Regulators**

## Model 441-57S



## 2" and 3" Model 441-57S



### 2", 3", 4", 6" Model 441-57S

ILL. NO.	DESCRIPTION	PART NUMBER
1	Seal Cap	090-00-005-02
1a	Tetraseal (or O-Ring) 1 3/4" x 2"	904092
4	Hex. Cap Screw 5/16"-18 x 1", 120,000 tensile, 8 used	910030
5	Housing Cover, ductile	091-16-380-00
6	Housing Cover Gasket	091-00-066-30
7	Vent Cap, 1/4" NPT	137-02-505-02
8	Upper Diaphragm Case	091-00-003-00
10	Spring Adjusting Screw	090-16-007-02
11	Hex. Steel Jam Nut, 5/8"-11	921007
12	Top Spring Button	091-00-009-00
13	Thrust Bearing, 3/8" dia. stainless steel ball	930510
14	Spring, Yellow 3 to 6 psi	091-00-021-05
	Spring, Gray 5 to 9 psi	091-00-021-04
	Spring, Blue 7 1/2 to 15 psi	091-00-021-03
	Spring, Red 12 1/2 to 30 psi	091-00-021-02
	Spring, Brown 25 to 55 psi	091-00-021-01
	Spring, Black 50 to 75 psi	091-00-021-00
	Spring, Brown plus White 70 to 100 psi, Brown outer spring	091-00-021-01
	White inner spring	091-00-021-08
16	Hex. Steel Nut 5/8"-18	905993
17	Split Lockwasher 5/8"	932531
19	Diaphragm Plate, upper	091-00-010-00
20	Diaphragm, 5" Roll-Out	091-00-350-00
41	Hex. Steel Nut, 3/8"-16, 8 used	920053
42	Hex. Steel Bolt, 3/8"-16 x 1 3/4" lg., 8 used	910058
45	Travel Indicator Assembly	
	5/8" Scale (1 1/2", 1 3/4", 2 1/8" valve)	091-00-365-75
	1" Scale (3" valves)	091-00-365-77
	1 1/4" Scale (4 1/4" valves)	091-00-365-79
60	1/2" NPT Nipple, Orifice Plug and Steel Union Assembly	090-16-361-01
90	Nameplate	090-00-086-05
91	Nameplate, round	090-16-086-00
92	Rd. Hd. Type U Drive Screw, #4 x 3/16" lg.	903004
93	Rd. Hd. Machine Screw, 6-32 x 1/4" lg.	914402

### 2" Model 441-57S

ILL. NO.	DESCRIPTION	PART NUMBER
26	Hex. Cap Screw, 1/4"-20 x 1/2" lg., 120,000 tensile	910001
27	O-Ring, 2 1/16" x 2 1/4"	904832
28	1 3/4" Inlet Orifice, CRS	090-16-028-00
	1 1/4" Inlet Orifice, stainless steel	090-16-028-50
	1 1/2" Inlet Orifice, CRS	090-16-028-01
	1 1/2" Inlet Orifice, stainless steel	090-16-028-51
28a	1" Inlet Orifice, CRS	090-16-028-02
29	1 3/4" Outlet Orifice, iron	090-16-029-00
	1 3/4" Outlet Orifice, stainless steel	090-16-029-50
	1 1/2" Outlet Orifice, CRS	090-16-029-01
	1 1/2" Outlet Orifice, stainless steel	090-16-029-51
29a	1" Outlet Orifice, CRS	090-16-029-02

3" Model 441-57S		
ILL. NO.	DESCRIPTION	PART NUMBER
26	Hex. Cap Screw, 1/4" - 20 x 1/2" lg., 120,000 tensile	910001
27	O-Ring, 2 1/16" x 2 3/8"	904832
28	2 1/8" Inlet Orifice, CRS	090-20-028-00
	2 1/8" Inlet Orifice, stainless steel	090-20-028-50
	1 3/4" Inlet Orifice, CRS	090-20-028-02
	1 3/4" Inlet Orifice, stainless steel	090-20-028-52
	1 1/2" Inlet Orifice, CRS	090-20-028-03
	1 1/2" Inlet Orifice, stainless steel	090-20-028-53
28a	1" Inlet Orifice, CRS	090-20-028-04
29	2 1/8" Outlet Orifice, CRS	090-20-029-00
	2 1/8" Outlet Orifice, stainless steel	090-20-029-50
	1 3/4" Outlet Orifice, CRS	090-20-029-02
	1 3/4" Outlet Orifice, stainless steel	090-20-029-52
	1 1/2" Outlet Orifice, CRS	090-20-029-03
	1 1/2" Outlet Orifice, stainless steel	090-20-029-53
29a	1" Outlet Orifice, CRS	090-20-029-04

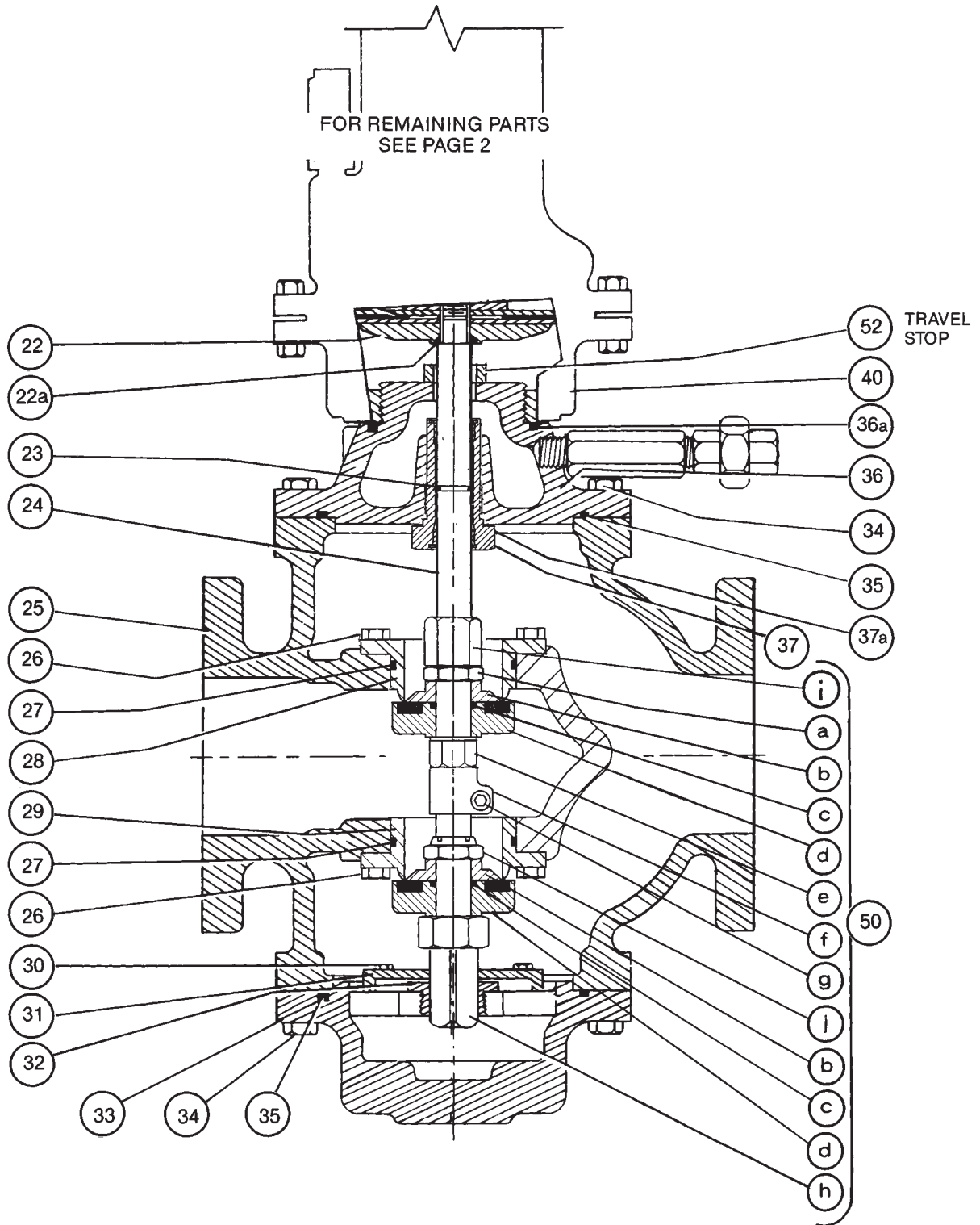
2" and 3" Model 441-57S		
ILL. NO.	DESCRIPTION	PART NUMBER
22	Lower Diaphragm Plate	091-00-022-00
22a	O-Ring, 5/8" x 3/4"	902922
23	O-Ring, 1 1/16" x 7/8"	934013
24	Diaphragm Connecting Stem, S.S.	090-16-058-00
25	2" 441 Body, screwed 125 lb. cast iron	090-16-001-00
	2" 441 Body, flanged ANSI 125 lb. FF, cast iron	090-16-001-01
	2" 441 Body, flanged ANSI 250 lb. RF, ductile iron	090-16-001-02
	2" 441 Body, flanged ANSI 300 lb. RF, cast steel	090-16-001-03
	2" 441 Body, flanged ANSI 600 lb. RF, cast steel	090-16-001-04
25	3" 441 Body, flanged ANSI 125 lb. FF, cast iron	090-20-001-00
	3" 441 Body, flanged ANSI 250 lb. RF, ductile iron	090-20-001-01
	3" 441 Body, flanged ANSI 300 lb. RF, cast steel	090-20-001-04
	3" 441 Body, flanged ANSI 600 lb. RF, cast steel	090-20-001-02
32	Guide Bushing with Pin, brass	090-16-385-01
	Guide Bushing with Pin, stainless steel	090-16-385-03
33	Bottom Plate, 8 bolt, for screwed & flanged bodies CRS	090-16-004-01
34	Hex. Cap Screw, 1/2" - 13 x 1 1/4"	910106
35	Tetraseal (or O-Ring), 4 3/8" x 4 5/8"	904085
36	Centerpiece, 125 lb. & 250 lb. bodies	090-16-275-60
	Centerpiece, 300 lb. & 600 lb. bodies	090-16-275-61
36a	Tetraseal (or O-Ring), 4" x 4 1/4"	904084
37	Centerpiece Stem Bushing Assem.	090-16-373-00
37a	Seal Washer	090-26-178-00
38	Side Plate, ductile, for 2" & 3" ductile bodies	090-16-072-00
	Side Plate, steel, for 2" & 3" steel bodies	090-16-072-01
39	Tetraseal (or O-Ring), 3 1/4" x 3 1/2"	904078
40	Lower Diaphragm Case	090-22-002-00
50	Valve Assembly, 1 3/4", brass trim, Polyurethane (red, 65-75 Duro)	090-16-515-32
	Valve Assembly, 1 3/4", stainless steel trim, Polyurethane (red, 65-75 Duro)	090-16-515-52
	Valve Assembly, 1 1/2", brass trim, Polyurethane (red, 65-75 Duro)	090-16-515-33

3" Model 441-57S		
ILL. NO.	DESCRIPTION	PART NUMBER
50	Valve Assembly, 2 1/8", brass trim, Polyurethane (red 65-75 Duro)	090-20-515-40
	Valve Assembly, 2 1/8", stainless steel trim, Polyurethane (red 65-75 Duro)	090-20-515-60
50b	Valve Retainer, standard, CRS, 2 1/8"	090-20-018-00
	Valve Retainer, standard, stainless steel, 2 1/8"	090-20-018-30
	Valve Retainer, V-port wings, iron, 2 1/8"	090-20-012-50
	Valve Retainer, V-port wings, stainless steel, 2 1/8"	090-20-012-51

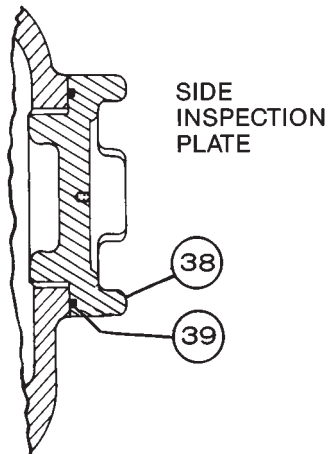
3" Model 441-57S (cont.)		
ILL. NO.	DESCRIPTION	PART NUMBER
50d	Molded Valve, 2 1/8", Buna-N (black 50-55 Duro) all trim	090-20-315-00
	Molded Valve, 2 1/8", Polyurethane (red, 65-75 Duro) all trim	090-20-315-02
	Molded Valve, 2 1/8", Polyurethane (tan, 85-95 Duro) all trim	090-20-315-03

2" and 3" Model 441-57S		
ILL. NO.	DESCRIPTION	PART NUMBER
50	Valve Assembly, 1 1/2", stainless steel trim, Polyurethane (red, 65-75 Duro)	090-16-515-53
50a	Valve Lock Nut, 5/8" - 18	905564
50b	Valve Retainer, standard, steel, 1 3/4"	090-16-018-00
	Valve Retainer, standard, stainless steel, 1 3/4"	090-16-018-30
	Valve Retainer, V-port wings, steel, 1 3/4" valve	090-16-012-50
	Valve Retainer, V-port wings, stainless steel, 1 3/4" valve	090-16-012-53
	Valve Retainer, standard, steel, 1 1/2"	090-16-018-01
	Valve Retainer, standard, stainless steel, 1 1/2"	090-16-018-31
	Valve Retainer, V-port wings, steel, 1 1/2"	090-16-012-52
	Valve Retainer, V-port wings, stainless steel, 1 1/2"	090-16-012-55
50c	O-Ring, 5/8" x 1 3/16"	934012
50d	Molded Valve, 1 3/4", Buna-N (black, 50-55 Duro) all trim	090-16-315-00
	Molded Valve, 1 1/2", Buna-N (black, 50-55 Duro) all trim	090-16-315-01
	Molded Valve, 1 3/4", Polyurethane (red, 65-75 Duro) all trim	090-16-315-02
	Molded Valve, 1 1/2", Polyurethane (red, 65-75 Duro) all trim	090-16-315-03
	Molded Valve, 1 3/4", Polyurethane (tan, 85-95 Duro) all trim	090-16-315-05
	Molded Valve, 1 1/2", Polyurethane (tan, 85-95 Duro) all trim	090-16-315-04
50e	Female Valve, Stem, brass	090-16-116-00
	Female Valve, Stem, stainless steel	090-16-116-01
50g	Adjustment Clamp Screw, Soc. Hd. Screw, 10-24 x 1/2" lg.	903486
	Adjustment Clamp Screw, for 1 1/2" valve only	090-16-046-01
50h	Male Valve Stem, brass	090-16-016-01
	Male Valve Stem, stainless steel	090-16-016-02
51	Valve Assembly, 1", brass trim, Polyurethane soft seats	090-16-515-42
	Valve Assembly, 1", stainless steel trim, Polyurethane soft seats	090-16-515-62
51a	Stem Extension, stainless steel, 1" valve	090-16-125-01
51b	Valve Retainer, brass, 1" valve	090-16-018-03
	Valve Retainer, stainless steel, 1" valve	090-16-018-01
51d	Molded Valve, 1", Buna-N (black 50-55 Duro) all trim	091-16-315-01
	Molded Valve, 1", Polyurethane (red, 65-75 Duro), all trim	091-16-315-11
	Molded Valve, 1", Polyurethane (tan, 85-95 Duro) all trim	091-16-315-15
	Molded Valve, 1", Viton (stamped V, 65-75 Duro) all trim	091-16-315-13
51e	Male Valve Stem, stainless, 1" valve	090-16-016-21
51f	Valve Stem Locking Ring, stainless steel, 1" valve	091-16-043-01
51g	Set Screw, Hex. Soc. Cup Pt., #12-24 x 1/4" lg.	907694
51h	Female Valve Stem, stainless steel, 1" valve	090-16-116-21
51i	Valve Guide, stainless steel, 1" valve	090-16-012-31

4" Model 441-57S

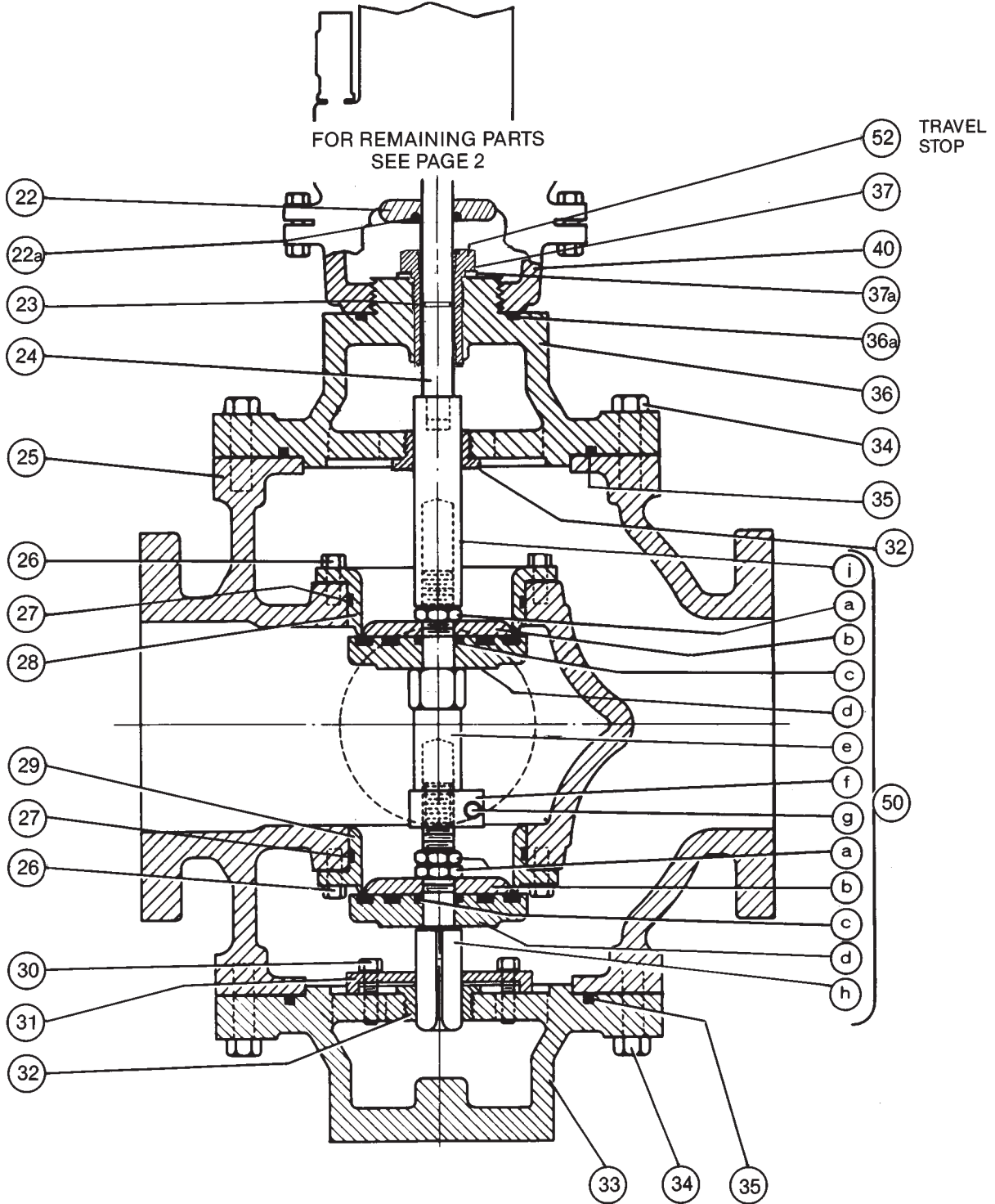


4" Model 441-57S		
ILL. NO.	DESCRIPTION	PART NUMBER
22	Lower Diaphragm Plate	091-00-022-01
22a	O-Ring, $\frac{3}{8}$ " x $\frac{3}{4}$ "	902922
23	O-Ring, $\frac{1}{16}$ " x $\frac{7}{16}$ "	934013
24	Diaphragm Connecting Stem, S.S.	090-16-058-00
25	4" 441 Body, flanged ANSI 125 lb. FF, cast iron	090-22-001-00
	4" 441 Body, flanged ANSI 250 lb. RF, ductile iron	090-22-001-01
	4" 441 Body, flanged ANSI 300 lb. RF, cast steel	090-22-001-04
	4" 441 Body, flanged ANSI 600 lb. RF, cast steel	090-22-001-02
26	Hex. Cap Screw, $\frac{3}{8}$ " - 16 x $\frac{3}{4}$ " lg., 120,000 tensile	910053
27	O-Ring, $3\frac{1}{2}$ " x $3\frac{1}{16}$ "	905583
28	3" Inlet Orifice, CRS	090-22-028-00
	3" Inlet Orifice, stainless steel	090-22-028-50
	$2\frac{1}{8}$ " Inlet Orifice, CRS	090-22-028-02
	$2\frac{1}{8}$ " Inlet Orifice, stainless steel	090-22-028-52
	$1\frac{3}{4}$ " Inlet Orifice, CRS	090-22-028-01
	$1\frac{3}{4}$ " Inlet Orifice, stainless steel	090-22-028-51
29	3" Outlet Orifice, CRS	090-22-029-00
	3" Outlet Orifice, stainless steel	090-22-029-50
	$2\frac{1}{8}$ " Outlet Orifice, CRS	090-22-029-02
	$2\frac{1}{8}$ " Outlet Orifice, stainless steel	090-22-029-52
	$1\frac{3}{4}$ " Outlet Orifice, CRS	090-22-029-01
	$1\frac{3}{4}$ " Outlet Orifice, stainless steel	090-22-029-51
30	Hex. Cap Screw, $\frac{3}{8}$ " - 16 x 1" lg.	910055
31	Spin Stop Plate	090-22-040-01
32	Guide Bushing, brass	090-22-074-00
	Guide Bushing, stainless steel	090-22-074-01
33	Bottom Plate, iron, 8 bolt	090-22-004-30
	Bottom Plate, ductile iron, 8 bolt	090-22-004-51
	Bottom Plate, steel, 8 bolt	090-22-004-71
34	Hex. Cap Screw, $\frac{5}{8}$ " - 11 x $1\frac{1}{2}$ "	910157
	Hex. Cap Screw, $\frac{5}{8}$ " - 11 x $1\frac{3}{4}$ " for ductile bottom plate	910158
35	Tetraseal (or O-Ring), $6\frac{1}{4}$ " x $6\frac{1}{2}$ "	904080
36	Centerpiece, 8 bolt	090-22-275-00
	Centerpiece, steel, 8 bolt	090-22-275-03
36a	Tetraseal (or O-Ring), 4" x $4\frac{1}{2}$ "	904084
37	Centerpiece stem bushing, assemb.	090-16-373-00
37a	Seal Washer	090-26-178-00
38	Side Plate, Ductile, for 4" ductile body & iron body	090-22-072-00
	Side Plate, Steel, for 4" steel bodies	090-22-072-01



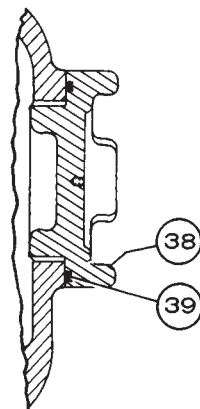
4" Model 441-57S		
ILL. NO.	DESCRIPTION	PART NUMBER
39	Tetraseal (or O-Ring), $4\frac{1}{4}$ " x $4\frac{1}{2}$ "	904083
40	Lower Diaphragm Case	090-22-002-00
50	Valve Assembly, 3", brass trim	
	Polyurethane (red, 65-75 Duro)	090-22-515-40
	Valve Assembly, 3", stainless steel trim, Polyurethane (red, 65-75 Duro)	090-22-515-60
	Valve Assembly, $2\frac{1}{8}$ ", brass trim, Polyurethane (red, 65-75 Duro)	090-22-515-41
	Valve Assembly, $2\frac{1}{8}$ ", stainless steel trim, Polyurethane (red, 65-75 Duro)	090-22-515-61
	Valve Assembly, $1\frac{3}{4}$ ", brass trim, Polyurethane (red, 65-75 Duro)	090-22-515-42
	Valve Assembly, $1\frac{3}{4}$ ", stainless steel trim, Polyurethane (red, 65-75 Duro)	090-22-515-62
50a	Valve Lock Nut, $\frac{3}{4}$ " - 16	090-22-034-00
50b	Valve Retainer, standard, CRS, 3"	090-22-018-03
	Valve Retainer, standard, stainless steel, 3"	090-22-018-00
	Valve Retainer, V-port wings, iron, 3"	090-11-012-20
	Valve Retainer, V-port wings, stainless steel, 3"	090-22-012-40
	Valve Retainer, standard, CRS, $2\frac{1}{8}$ "	090-22-018-01
	Valve Retainer, standard, stainless steel, $2\frac{1}{8}$ "	090-22-018-31
	Valve Retainer, V-port wings, iron, $2\frac{1}{8}$ "	090-22-012-50
	Valve Retainer, V-port wings, stainless steel, $2\frac{1}{8}$ "	090-22-012-51
	Valve Retainer, standard, stainless steel, $1\frac{3}{4}$ "	090-22-018-34
50c	O-Ring, $\frac{3}{16}$ " x 1"	904173
50d	Molded Valve, 3", Buna-N (black 50-55 Duro) all trim	090-22-315-00
	Molded Valve, $2\frac{1}{8}$ ", Buna-N (black, 50-55 Duro) all trim	090-22-315-01
	Molded Valve, $1\frac{3}{4}$ ", Buna-N (black, 50-55 Duro) all trim	090-22-315-04
	Molded Valve, 3", Polyurethane (red, 65-75 Duro) all trim	090-22-315-02
	Molded Valve, $2\frac{1}{8}$ ", Polyurethane (red, 65-75 Duro) all trim	090-22-315-03
	Molded Valve, $1\frac{3}{4}$ ", Polyurethane (red, 65-75 Duro) all trim	090-22-315-05
	Molded Valve, 3", Polyurethane, (tan, 85-95 Duro) all trim	090-22-315-08
	Molded Valve, $2\frac{1}{8}$ ", Polyurethane, (tan, 85-95 Duro) all trim	090-22-315-07
	Molded Valve, $1\frac{3}{4}$ ", Polyurethane, (tan, 85-95 Duro) all trim	090-22-315-06
50e	Female Valve Stem, brass	090-22-016-40
	Female Valve Stem, stainless steel	090-22-016-41
50f	Adjustment Clamp Ring, stainless steel	090-22-043-02
50g	Adjustment Clamp Screw, soc. hd. screw, $\frac{1}{4}$ " - 20 x $\frac{3}{4}$ " lg.	903494
50h	Male Valve Stem, stainless steel	090-22-116-01
50i	Stem Extension, stainless	090-22-058-40
50j	Valve Locknut (lower)	903958
52	Travel Stop, for 3" valves	090-22-040-51
	Travel Stop, for $2\frac{1}{8}$ " and $1\frac{3}{4}$ " valves	090-22-040-55

6" Model 441-57S



6" Model 441-57S		
ILL. NO.	DESCRIPTION	PART NUMBER
22	Lower Diaphragm Plate	091-00-022-02
22a	O-Ring, $\frac{5}{16}$ " x $\frac{3}{4}$ "	902922
23	O-Ring, $\frac{11}{16}$ " x $\frac{7}{8}$ "	934013
24	Diaphragm Connecting Stem, S.S.	090-22-058-00
25	6" 441 Body, flanged ANSI 125 lb. FF, cast iron	090-24-001-00
	6" 441 Body, flanged ANSI 250 lb. RF, ductile iron	090-24-001-01
	6" 441 Body, flanged ANSI 300 lb. RF, cast steel	090-24-001-03
	6" 441 Body, flanged ANSI 600 lb. RF, cast steel	090-24-001-02
26	Hex. Cap Screw, $\frac{3}{8}$ " - 16 x 1" lg., 120,000 tensile	910055
27	O-Ring $4\frac{3}{4}$ " x $4\frac{15}{16}$ "	906301
28	4 $\frac{1}{4}$ " Inlet Orifice, CRS	090-24-028-00
	4 $\frac{1}{4}$ " Inlet Orifice, stainless steel	090-24-028-02
	3" Inlet Orifice, CRS	090-24-028-10
	3" Inlet Orifice, stainless steel	090-24-028-12
	2 $\frac{1}{8}$ " Inlet Orifice, CRS	090-24-028-22
	2 $\frac{1}{8}$ " Inlet Orifice, stainless steel	090-24-028-24
29	4 $\frac{1}{4}$ " Outlet Orifice, CRS	090-24-029-00
	4 $\frac{1}{4}$ " Outlet Orifice, stainless steel	090-24-029-02
	3" Outlet Orifice, CRS	090-24-029-10
	3" Outlet Orifice, stainless steel	090-24-029-12
	2 $\frac{1}{8}$ " Outlet Orifice, CRS	090-24-029-22
	2 $\frac{1}{8}$ " Outlet Orifice, stainless steel	090-24-029-24
30	Hex. Cap Screw, $\frac{3}{8}$ " - 16 x 1" lg.	910055
31	Spin Stop Plate	090-24-040-01
32	Guide Bushing, stainless steel	090-24-074-01
33	Bottom Plate, iron, 8 bolt	090-24-004-01
	Bottom Plate, ductile iron, 16 bolt	090-24-004-53
	Bottom Plate, steel, 16 bolt	090-24-004-73
34	Hex. Cap Screw, $\frac{5}{8}$ " - 11 x 2	910159
35	Tetraseal (or O-Ring) $7\frac{3}{4}$ " x 8"	904088
36	Centerpiece, iron, 8 bolt	090-24-275-00
	Centerpiece, ductile iron, 16 bolt	090-24-275-50
	Centerpiece, steel, 16 bolt	090-24-275-70
36a	Tetraseal (or O-Ring), 4" x 4 $\frac{1}{4}$ "	904084
37	Centerpiece Stem Bushing, Assembly	090-16-373-02
37a	Seal Washer	090-26-178-00
38	Side Plate, Ductile, for 6" ductile body	090-24-072-00
	Side Plate, Steel, for 6" steel bodies	090-24-072-01
39	Tetraseal (or O-Ring), 6" x 6 $\frac{1}{4}$ "	904089
40	Lower Diaphragm Case	090-22-022-00
50	Valve Assembly, 4 $\frac{1}{4}$ ", brass trim, Polyurethane (red, 65-75 Duro)	090-24-515-40
	Valve Assembly, 4 $\frac{1}{4}$ ", stainless steel trim, Polyurethane (red, 65-75 Duro)	090-24-515-60
	Valve Assembly, 3" brass trim, Polyurethane (red, 65-75 Duro)	090-24-515-41
	Valve Assembly, 3", stainless steel trim, Polyurethane (red, 65-75 Duro)	090-24-515-61
	Valve Assembly, 2 $\frac{1}{8}$ ", brass trim, Polyurethane (red, 65-75 Duro)	090-24-515-42

6" Model 441-57S		
ILL. NO.	DESCRIPTION	PART NUMBER
50a	Valve Lock Nut	015-31-034-70
	Valve Lock Nut, $\frac{5}{16}$ " - 18, for 2 $\frac{1}{8}$ " reduced valve only	905564
50b	Valve Retainer, standard, CRS, 4 $\frac{1}{4}$ "	090-24-018-00
	Valve Retainer, standard, stainless steel, 4 $\frac{1}{4}$ "	090-24-018-02
	Valve Retainer, V-port wings, CRS, 4 $\frac{1}{4}$ "	090-24-012-20
	Valve Retainer, V-port wings, stainless steel, 4 $\frac{1}{4}$ "	090-24-012-40
	Valve Retainer, standard, CRS, 3"	090-24-018-21
	Valve Retainer, standard, stainless steel, 3"	090-24-018-22
	Valve Retainer, standard, CRS, 2 $\frac{1}{8}$ "	090-20-018-00
	Valve Retainer, standard, stainless steel, 2 $\frac{1}{8}$ "	090-20-018-30
	Valve Retainer, V-port wings, CRS, 2 $\frac{1}{8}$ "	090-20-012-50
	Valve Retainer, V-port wings, stainless steel, 2 $\frac{1}{8}$ "	090-20-012-51
50c	O-Ring, $1\frac{1}{16}$ " x $1\frac{1}{8}$ "	904174
	O-Ring, $\frac{5}{16}$ " x $\frac{13}{16}$ " for 2 $\frac{1}{8}$ " reduced valve only	934012
50d	Molded Valve, 4 $\frac{1}{4}$ ", Buna-N, (black, 50-55 Duro) all trim	090-24-315-00
	Molded Valve, 3", Buna-N, (black, 50-55 Duro) all trim	090-24-315-01
	Molded Valve, 2 $\frac{1}{8}$ ", Buna-N, (black, 50-55 Duro) all trim	090-20-315-00
	Molded Valve, 4 $\frac{1}{4}$ ", Polyurethane, (red, 65-75 Duro) all trim	090-24-315-02
	Molded Valve, 3", Polyurethane, (red, 65-75 Duro) all trim	090-24-315-03
	Molded Valve, 2 $\frac{1}{8}$ ", Polyurethane, (red, 65-75 Duro) all trim	090-20-315-02
	Molded Valve, 4 $\frac{1}{4}$ ", Polyurethane, (tan, 85-95 Duro) all trim	090-24-315-05
	Molded Valve, 3", Polyurethane, (tan, 85-95 Duro) all trim	090-24-315-04
	Molded Valve, 2 $\frac{1}{8}$ ", Polyurethane, (tan, 85-95 Duro) all trim	090-20-315-03
50e	Female Valve Stem, stainless steel	090-24-016-01
	Female Valve Stem, stainless steel for 2 $\frac{1}{8}$ " reduced valve only	090-24-016-11
50f	Adjustment Clamp Ring, stainless steel	090-24-043-02
	Adjustment Clamp Ring, stainless steel, for 2 $\frac{1}{8}$ " reduced valve only	090-16-043-03
50g	Adjustment Clamp Screw, soc. hd. screw, $\frac{5}{16}$ " - 18 x 1" lg.	903498
	Adjustment Clamp Screw, for 2 $\frac{1}{8}$ " reduced valve only	903494
50h	Male Valve Stem, stainless steel	090-24-116-01
	Male Valve Stem, stainless steel, for 2 $\frac{1}{8}$ " reduced valve only	090-24-116-11
50i	Stem Extension, stainless	090-24-062-04
	Valve Stem Hex. Extension, for 2 $\frac{1}{8}$ " reduced valve only, stainless	090-16-062-11
52	Travel Stop, for 4 $\frac{1}{4}$ " valves	090-22-040-50
	Travel Stop, for 3" valves	090-22-040-52
	Travel Stop, for 2 $\frac{1}{8}$ " valves	090-22-040-56



SIDE INSPECTION PLATE



805 Liberty Boulevard

P.O. Box 528

DuBois, PA 15801

814-375-8875

Fax 814-375-8460

---

## Authorized Distributor

All products purchased and services performed are subject to Sensus' terms of sale, available at either; <http://na.sensus.com/TC/TermsConditions.pdf> or 1-800-METER-IT. Sensus reserves the right to modify these terms and conditions in its own discretion without notice to the customer.

This document is for informational purposes only, and SENSUS MAKES NO EXPRESS WARRANTIES IN THIS DOCUMENT. FURTHERMORE, THERE ARE NO IMPLIED WARRANTIES, INCLUDING WITHOUT LIMITATION, WARRANTIES AS TO FITNESS FOR A PARTICULAR PURPOSE AND MERCHANTABILITY. ANY USE OF THE PRODUCTS THAT IS NOT SPECIFICALLY PERMITTED HEREIN IS PROHIBITED.