

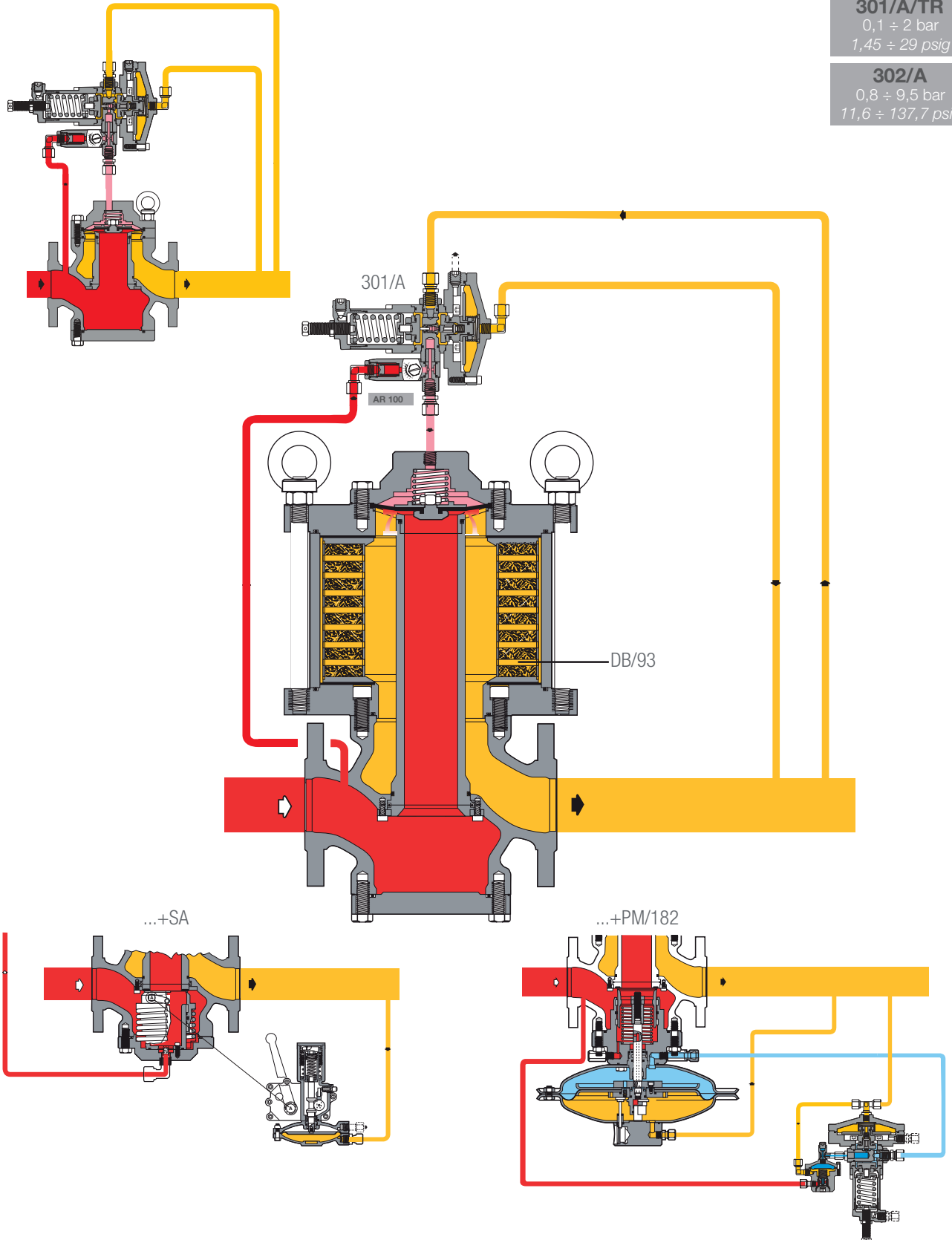
Aperval

Pressure Regulator

301/A
 20 ÷ 100 mbar
 8" w.c. ÷ 1,45 psig

301/A/TR
 0,1 ÷ 2 bar
 1,45 ÷ 29 psig

302/A
 0,8 ÷ 9,5 bar
 11,6 ÷ 137,7 psig



■ Inlet Pressure
 ■ Outlet Pressure
 ■ Motorization Monitor
 ■ Control Pressure
 ■ Pilot Feed