



# SentryPoint™ CPTP100

## Cathodic Protection Test Point

The SentryPoint™ Cathodic Protection Test Point (CPTP100) measures and collects protective voltage data at cathodic protection test stations, then transmits it back to the utility for display, analysis, and interpretation. With support for up to four channels of data, the CPTP100 supports virtually any application found in the field.

### FEATURES:

- Sealed, waterproof polycarbonate cover
- Slim body fits into test point markers
- Built-in wire management
- Daily data reporting and one-hour alarm response

### BENEFITS:

- Installs quickly and discretely
- Generates more timely, actionable intelligence
- Improves operational efficiency
- Cost effective solution
- Rapid payback

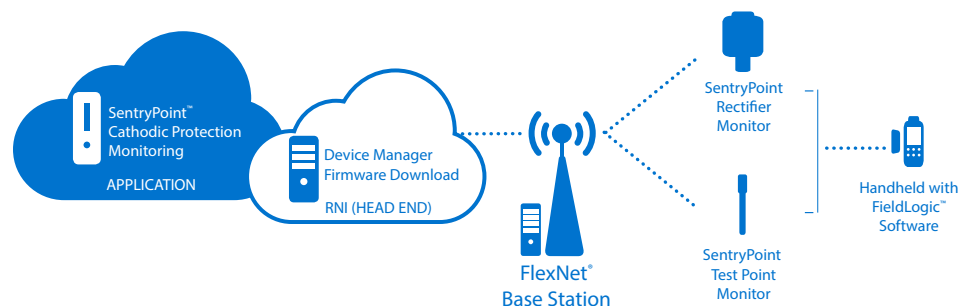
### Capability

The CPTP100 collects data from test stations associated with either galvanic or impressed current protected pipelines, and supports the following types of measurements:

- Pipe-to-soil with protective current
- Pipe-to-soil with interrupted current
- Casing-to-pipe
- Coupon-to-soil with interrupted current
- Pipe-to-native coupon with interrupted current

### Construction

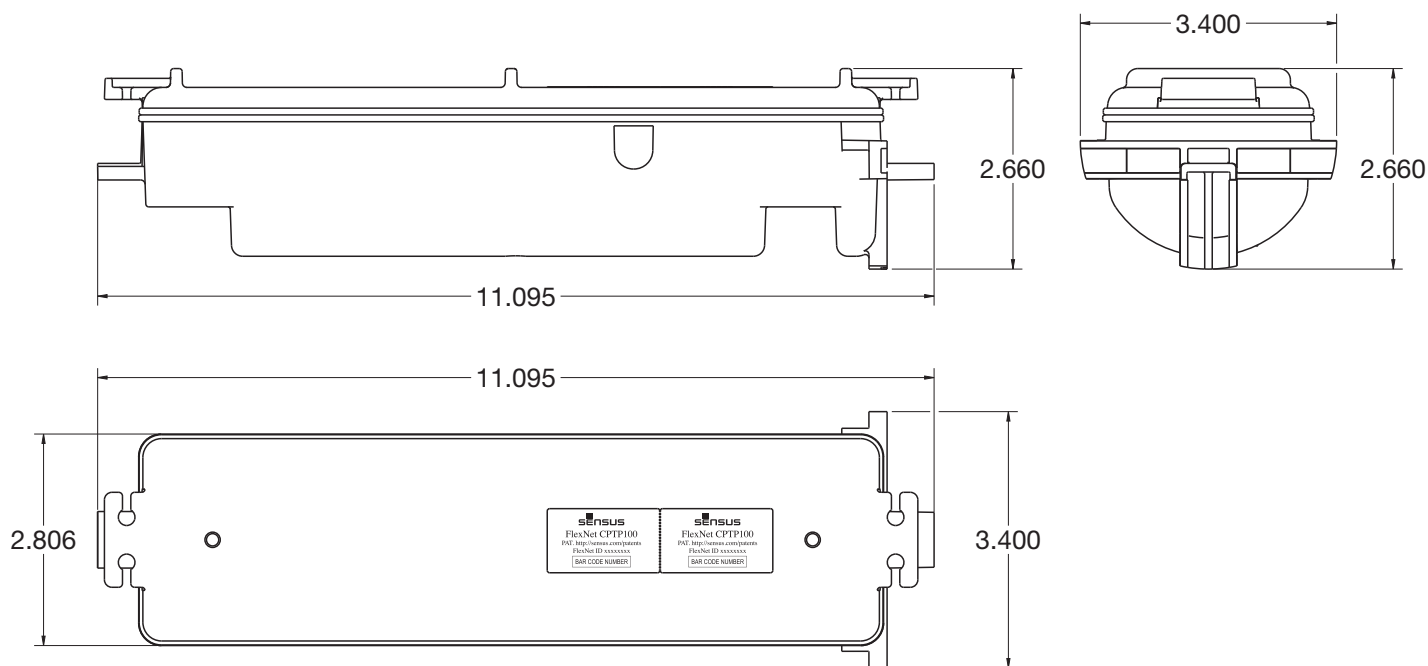
- Fits in standard 3" diameter test station riser
- Sealed, waterproof polycarbonate housing
- 20-year battery life, warrantied
- Class 1 Div. 2 intrinsically safe





# SentryPoint™ CPTP100

## Cathodic Protection Test Point



The SmartPoint galvanic test point transceiver is designed to fit inside existing test point

### Specifications

Dimensions	11.095" x 2.660" x 3.400"
Weight	1.4 lbs.
Cover	Sealed, waterproof polycarbonate housing (IP66)
Broadcast Power	2 watts
Frequency Range	896-960MHz
Channels	8000 x 6.25kHz steps
Modulation	Proprietary narrow band
Memory	Non-volatile
Operating Environment	Class I/Div. 2
Operating Temperature	-30° to +150° F (-34° to +65° C)
Power	Lithium thionyl chloride (Li-SOCl <sub>2</sub> ) batteries in conjunction with a hybrid layer capacitor (HLC)
AC Rejection	60dB minimum at 50Hz and above
Differential Input Voltage	+/- 6V maximum channel-to-channel
Accuracy	Accurate to +/- 5mV over the life of the device
Warranty	20 years
Approvals	United States FCC CFR 47: Part 24D, Part 101C, Part 15 licensed operation  Canada Industry Canada (IC) RSS-GEN RSS-119, RSS-210



637 Davis Drive  
Morrisville, NC 27560  
1-800-638-3748  
[sensus.com](http://sensus.com)

©2019 Sensus. All products purchased and services performed are subject to Sensus' terms of sale, available at either [sensus.com/TC](http://sensus.com/TC) or 1-800-638-3748. Sensus reserves the right to modify these terms and conditions in its own discretion without notice to the customer. The Sensus logo is a registered trademark of Sensus.

This document is for informational purposes only, and SENSUS MAKES NO EXPRESS WARRANTIES IN THIS DOCUMENT. FURTHERMORE, THERE ARE NO IMPLIED WARRANTIES, INCLUDING WITHOUT LIMITATION, WARRANTIES AS TO FITNESS FOR A PARTICULAR PURPOSE AND MERCHANTABILITY. ANY USE OF THE PRODUCTS THAT IS NOT SPECIFICALLY PERMITTED HEREIN IS PROHIBITED.