



# Sensus® Smart Gateway

## Sensor Interface



Public service providers need timely data to make critical and prompt decisions for their communities. With the Sensus Smart Gateway, a battery-powered sensor interface, utilities can connect to a variety of applications in remote locations where there is no power or land-based communications available.

### FEATURES

- Battery powered
- Two (2) 4-20 mA analog inputs and two (2) Form A digital inputs per unit
- 15 minute data sampling reported six (6) times per day
- IP66 packaging for outdoor applications
- Wall or pipe-mount options
- Intrinsically Safe Class1 Div2
- Maintenance free
- Interfaces with other system infrastructure such as CMEP and Multispeak
- One (1) Year Warranty

Leveraging the FlexNet® communication network, the user interface application empowers utilities to remotely monitor pressures, temperatures, levels, and switches. Alarms can be transmitted and forwarded to utility systems or individuals allowing for expedient resolution. Additionally, data accumulation can be analyzed to develop new insights into operational conditions.

With two (2) 4-20 mA analog inputs and two (2) Form A digital inputs, the number of possible applications makes the Smart Gateway a flexible, powerful and cost effective device to gather information previously too difficult to obtain.

### BENEFITS

- Enables proactive/preventive maintenance
- Decreases need to deploy field crews
- Supplements existing SCADA by leveraging FlexNet communication network
- Deploys anywhere - no power line infrastructure needed
- Improves safety by communicating user-configured alarms, including theft and tampering
- Cost-effective option of extensive data accumulation

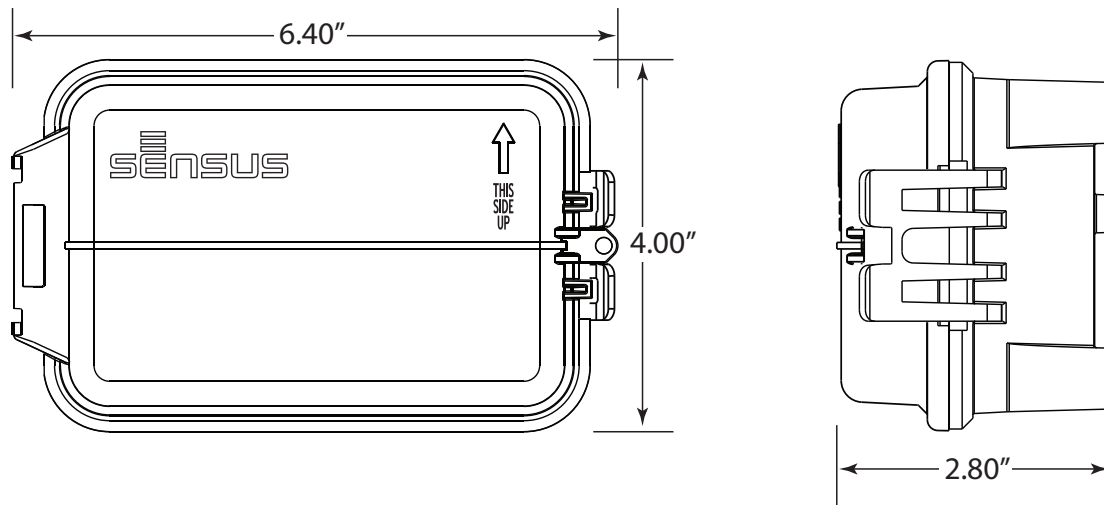
### Specifications

Dimensions	6.40" W x 4.00"H x 2.80"D	
Weight	1.5 lbs.	
Color	Grey	
Frequency Range	900-950 MHz, 8000 channels x 6.25 kHz steps	
Modulation	Proprietary Frequency Band	
Operating Temperature	-22 °F to +185 °F/-30 °C to 85 °C	
Installation Environment	The Smart Gateway is designed for installation on a wall or pipe where it is not subject to water submergence	
Installation Kits	Pipe/Wall-Mount Wall-Mount Only Optional Multi-Cable	
Wiring Requirements	See Installation Guide	
Battery	Single "D" cell lithium thionyl chloride	
Approvals	United States FCC Title 47 CFR: Part 24D, Part 101C, Part 15	Canada Industry Canada (IC) RSS-134, RSS-119



# Sensus® Smart Gateway

## Sensor Interface



### Sensor Specifications

Utility Type	Accuracy	Output Settling Time	Operating Voltage	Current Draw	Zero Offset
Water	Pressure: +/- 1.5% PSI Temperature: +/- 1° F Water Level: +/- 2"	≤ 200 milliseconds	≥ 12.5 volts	2-Wire: ≤ 30 mA 3-Wire: ≤ 100 mA	≤ 6% mA
Gas	Pressure: +/- 0.25% PSI				



637 Davis Drive  
 Morrisville, NC 27560  
 1-800-638-3748  
[sensus.com](http://sensus.com)

©2019 Sensus. All products purchased and services performed are subject to Sensus' terms of sale, available at either [sensus.com/TC](http://sensus.com/TC) or 1-800-638-3748. Sensus reserves the right to modify these terms and conditions in its own discretion without notice to the customer. *The Sensus logo is a registered trademark of Sensus.*

This document is for informational purposes only, and SENSUS MAKES NO EXPRESS WARRANTIES IN THIS DOCUMENT. FURTHERMORE, THERE ARE NO IMPLIED WARRANTIES, INCLUDING WITHOUT LIMITATION, WARRANTIES AS TO FITNESS FOR A PARTICULAR PURPOSE AND MERCHANTABILITY. ANY USE OF THE PRODUCTS THAT IS NOT SPECIFICALLY PERMITTED HEREIN IS PROHIBITED.