



FE

Balanced Two stage, dual diaphragm residential service regulator

**DESIGNED, TESTED AND CERTIFIED
EXCEEDING THE FOLLOWING STANDARDS:**

- ANSI Z21.80a & CSA 6.22a for 10 PSIG inlet applications
- ANSI B109.4
- CSA B149/CSA 6.18

Classification and Application Fields

FE series of two stage balance valve spring controlled regulator are widely used for both residential and commercial installation using **Natural gas, LPG and other non corrosive gases.**

The **FE** is designed either for gas meter fixed factor billing and fuel line pressure regulation. It can be mounted in any position.

If the installation it is in enclosed area, the internal relief vent can be simply piped to outside. Simple installation procedure are provided with the regulator.

The regulators are manufactured according to **ANSI B109.4** and **CSA 6.18-02.**

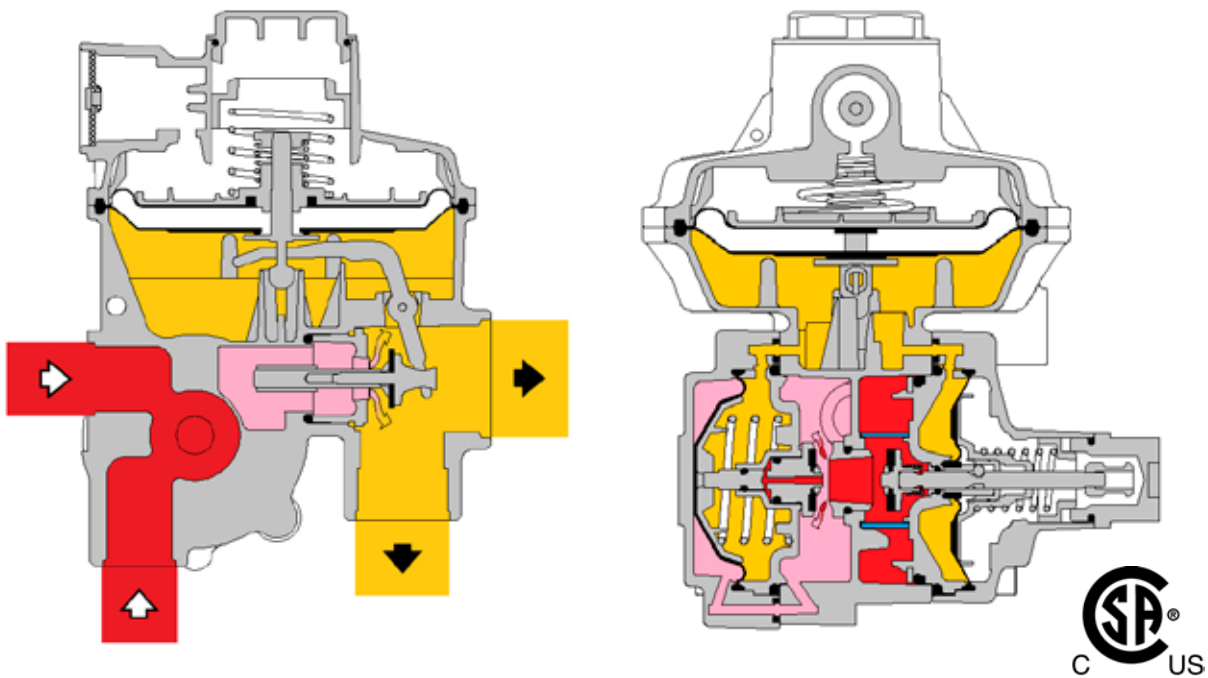
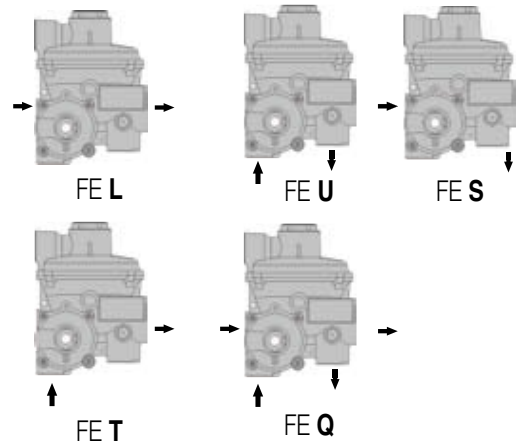


Fig.1

FE - CSA Version

- Inlet pressure (Pu)
- Intermediate pressure
- Outlet pressure (Pd)

Connection configuration



MAIN FEATURES

■ Inlet pressure range bpu:	4.3÷125 psig (0,15÷8,6 barg)
■ Max allowable pressure:	PS: 125 psig (8,6 barg)
■ Outlet pressure range Wd:	BP: Wd: 5.2÷72.3" wc (13÷180 mbar) TR: Wd: 2.6÷7.2 psig (180÷500 mbar)
■ Over pressure shut-off range:	Wd OPSO BP 14÷120,5" wc (35÷300 mbar) Wd OPSO TR 4.3÷11.6 psig (300÷800 mbar)
■ Accuracy class AC:	up to 5%
■ Lock up pressure class SG:	up to 10%
■ Temperature:	Gas Temperature -4°F +140°F (-20°C +60°C) and Ambient Temperature -40 to +140 °F (-40°C +60°C)
■ Capacity:	875 SCFH NOTE: The FE is a 2 stage regulator and the capacity is fixed from 4.3 to 125 PSIG inlet Pressure

Safety devices and accessories:

■ Inlet filter:	area 0.775 in2 (500 mm2) 300 µm efficiency (cleanable)
■ Over pressure shut-off device (OPSO);	
■ Excess flow valve;	
■ Manual reset of safety shutoff device only;	
■ Token relief valve;	
■ Safety shut-off for second stage diaphragm failure;	
■ Underground/underwater version with non-corrosive trim;	
■ Univent version for indoor installation venting;	
■ ANSI Z21.80 version 10 PSIG max inlet & class II outlet pressure rating	

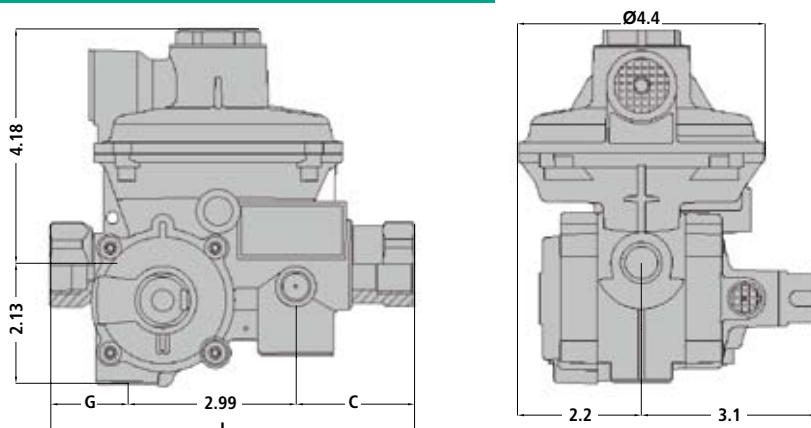
Materials:

■ Body:	Aluminum
■ Cover:	Aluminum
■ External paint:	Epoxy polymeric powder paint

The FE regulators comply with and are certified to CSA 6.22a-2005 and ANSI Z21.80a-2005 for 10 PSIG inlet applications. The FE design can incorporate a vent limiter. To ensure the installation complies with CSA 6.22a-2005 and ANSI Z21.80a -2005. When using an external vent limiter, the flat top of the vent limiter must always be facing up. Minimum vent size for the FE is 1/4" O.D. tubing. CSA witness test diaphragm failure vent rate is less than .8 cu.ft./hr.

Minimum vent size for the FE is 1/4" O.D. tubing. **CSA witness test diaphragm failure vent rate is less than .8 cu.ft./hr.**

DIMENSIONS



For dimension G-C-I depending on selected connections..

Inlet	Outlet	G	C	I
3/4" NPT	3/4" NPT	1.37	2.1	6.7
3/4" NPT	1" NPT	1.61	2.1	6.47
1" NPT	1" NPT	1.61	2.1	6.7
Dimensions in inches				Tab. 1

Weight

4.4 Lbs

Tab. 2



Pietro Fiorentini (USA), Inc.
131-B Peninsula Street
Wheeling, WV 26003

Tel. (304) 232 – 9115

The data is not binding. We reserve the right to make eventual changes without prior notice.

www.fiorentini.com

The data are not binding. We reserve the right to make changes without prior notice.

